



### LT0950 slim bodied range

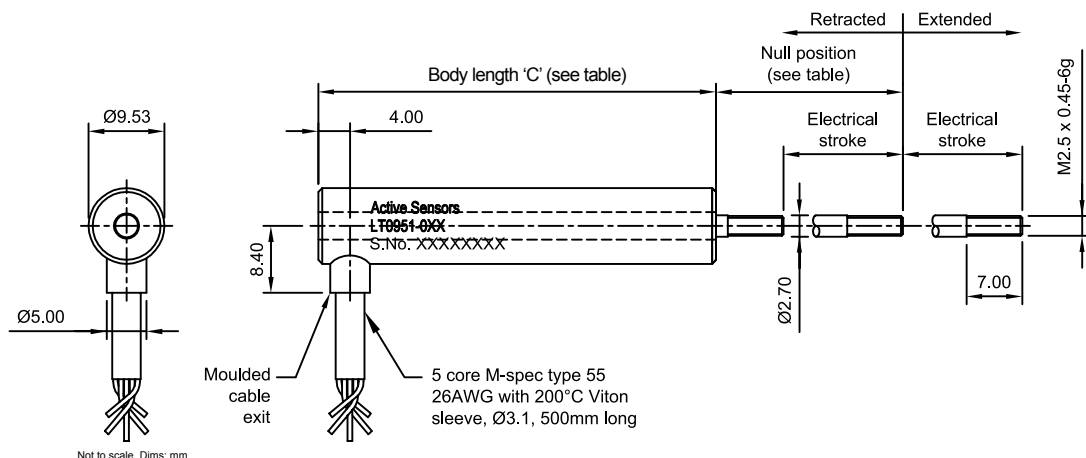


- Measurement range: up to 50mm
- Slim 9.53mm body Ø
- 200°C (400°F) operating temperature
- Sealed as standard
- Long operational life
- Raychem cabling

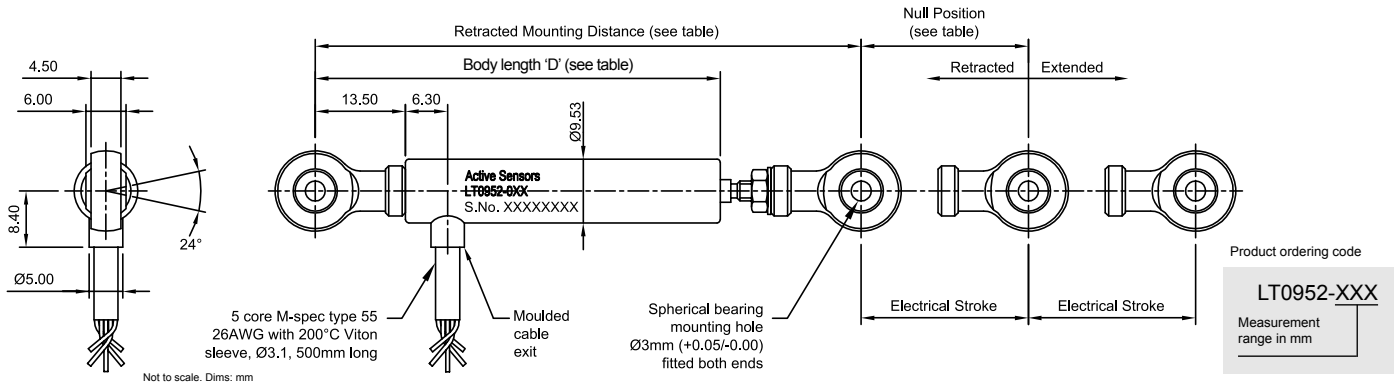
The LT0950 sensors contains design features which make it suitable for applications where high temperature, severe vibration, high cycling and fluid contamination are important considerations. The sensor is used in installations when size, performance and reliability are part of the design criteria and are used extensively in motorsport control systems for throttle and clutch actuation. Other applications include flight control and measurement systems. The sensor housing is manufactured from stainless steel and is environmentally sealed and fitted with Raychem fire & chemical resistant, high temperature Viton-type 55-26 signal cabling for total system reliability. The LVDT sensor is designed to convert the linear movement of a separate non-contacting core or shaft into a proportional voltage output.

### Model dimensions and mounting

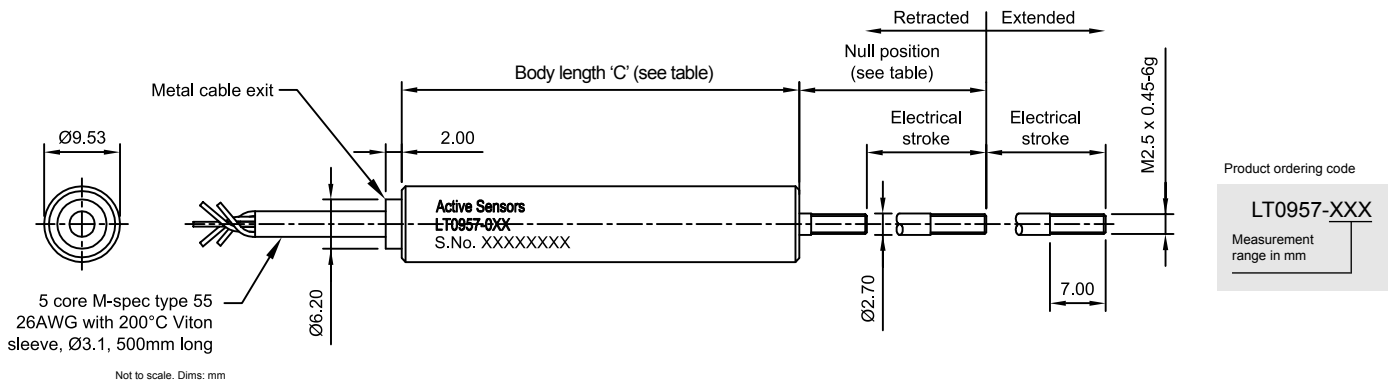
#### LT0951 - body clamp mounting / side cable exit



**LT0952 - rod end mounting**



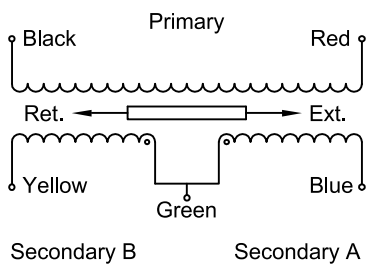
**LT0957 - body clamp mounting / rear cable exit**



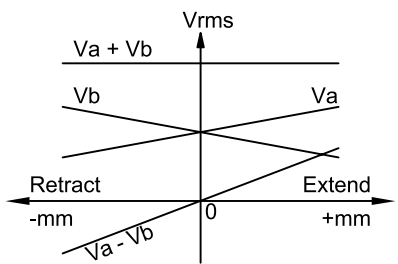
**Electrical & mechanical information for LT0950 range**

Input conditions	3.0V RMS ±5% @ 2.5 KHz ±5%			
Electrical stroke	10 (±5.00)	25 (±12.50)	50 (±25.00)	mm
Mechanical stroke (min.)	±6.00	±13.50	±26.0	mm
Body length 'C'	35.0	50.0	85.0	mm
Body length 'D'	85	100	125	mm
Retracted mounting distance	110	125	150	mm
Null position	15.0	23.0	35.0	mm
Summed output voltage ±10%	0.60	0.57	0.67	v/v
Ratiometric sensitivity ±5%	0.08	0.0422	0.0152	/mm
Non-linearity		<±0.5		% FS
Input impedance		>150		Ohms
Operating temperature	LT0951, 57 - -55° to +200°		LT0952 - -55° to +150°	°C
Environmental	Sealed			grams
Materials	Case - stainless steel 416 Shaft- stainless steel 316			

**Electrical Connections**

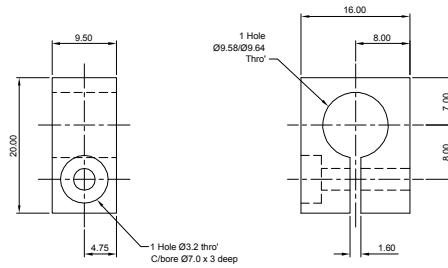


**LVDT AC Output Schematic**



## Mounting accessories

### Body mounting clamps. Part no: PT0950-0109



Material:  
Aluminium Alloy, anodised black.

## Other LVDT position sensor models available

### LT0600

- Range up to 20mm
- Micro-slim 6.0mm body Ø
- 180°C operating temperature
- Ultra-compact design



### LT0800

- Range up to 40mm
- Ultra-slim 8.0mm body Ø
- 200°C operating temperature
- Ultra-compact design



### LT1300

- Range: 25mm (1") to 200mm (8")
- Robust and slim 12.7mm body Ø
- 200°C operating temperature
- Sealed as standard



Please see separate datasheet for electronic signal conditioning for LVDT sensors.

## Contact details

### Europe

Active Sensors Ltd  
Unit 12, Wilverley Road  
Christchurch, Dorset  
BH23 3RU  
UK



### North America

Active Sensors Inc.  
8520 Allison Point Blvd Suit 220  
Indianapolis  
IN 46250  
USA



Tel +44 (0)1202 480620  
Fax +44 (0)1202 480664

Tel + 317 713 2973  
Fax + 317 713 2950

[sales@activesensors.com](mailto:sales@activesensors.com)

### Additional product information

The information contained in this data sheet on product applications should be used by customers for guidance only. Active Sensors makes no warranty or representation in respect of product fitness or suitability for any particular design application, environment or otherwise except as may subsequently be agreed in the contract for the sale and purchase of products. Additionally, Active Sensors gives no guarantee or warranty for its products in critical control applications, typically in life support systems and the aviation and nuclear industries, where product failure may result in injury, loss of life or catastrophic property damage. Customers should therefore satisfy themselves of the actual performance requirements and subsequently the products suitability for any particular design application and the environment in which the product is to be used. Continual research and development may require change to products and specification without prior notification. © Active Sensors