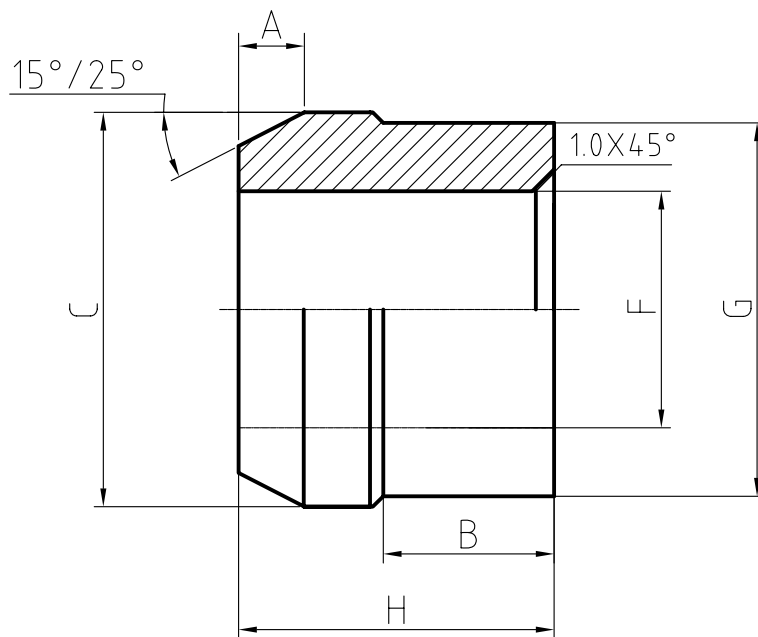


Unit:mm



Finish:
Plain (Zinc Plated & Waxed)

APPROVED BY CUSTOMER
For Manufacture

Name: _____ Date: _____

Signature: _____

Technical Requirements:

- 1.Material:low carbon steel
- 2.Smooth surface without burr.
- 3.Heat Treatment: Annealing. Hardness:HRB50-75
- 4.Surface Treatment: 10um zinc clear, and waxed.

SIZE	F	G	C	A	B	H
2LBC-S16G	13.10/13.70	19.45/20.30	20.60/21.40	2.3/3.2	8.80/9.50	15.50/16.35
2LBC-S20G	16.55/16.85	24.65/25.60	25.60/26.40	3.8/4.7	12.30/13.00	21.50/22.20
2LBC-S24G	19.70/20.05	29.60/29.95	30.60/31.40	4.3/5.2	12.60/13.30	23.65/24.35
2LBC-S28G	23.15/23.70	34.20/34.90	35.60/36.40	5.3/6.2	16.00/16.70	27.55/28.25
2LBC-S32G	26.05/26.65	39.00/40.00	40.30/41.40	6.3/7.7	17.00/17.70	31.25/32.35
2LBC-S36G	29.25/29.95	44.25/44.95	45.90/46.80	9.7/11.2	19.00/19.70	35.20/36.15

2015.5.21

No. _____ Alternation: _____

Date: _____ Check: _____ Approved: _____

Customer:

Standard Collars--1/2"-1-1/8"

Customer's P/No.:

Customer's Drawing: