



DATUM

*the **ONLY** starting point for any project.....*

Who we are.....

The roots of Datum lie in the production of precision Pattern and Model equipment for the Foundry and associated Engineering industries.

Over the years we have developed into recognised specialists in the production of GRP / Composite Products for the Rail industry.

We are the No.1 choice of global OEMs, ROSCOs and TOCs alike

Datum are peerless in the market place - We can manufacture complete assembled parts from start to finish – all tooling is manufactured `in-house`. Any specialty sub-assembly requirements can be procured through our extensive and quality network of approved suppliers & partners.

Our well-equipped Engineering facility offers 22,000 sq. ft . packed with the very latest CAD / CAM technologies coupled with traditional practices offering a full TURN-KEY solution to our well established Client base



Don't take our word for it.....

Who else makes DATUM COMPOSITES their first choice.....

Datum have an extensive customer base across various market sectors, however the core business is supporting our key rail customers.



And it`s not just Rail.....



Datum's timeline



- Datum Pattern & Model Makers established located on Alfreton Road

- Moved into larger premises on John Street

- Datum Composites established

- Datum Composites move into new dedicated larger site on Ascot Drive
- Move due to increased order book

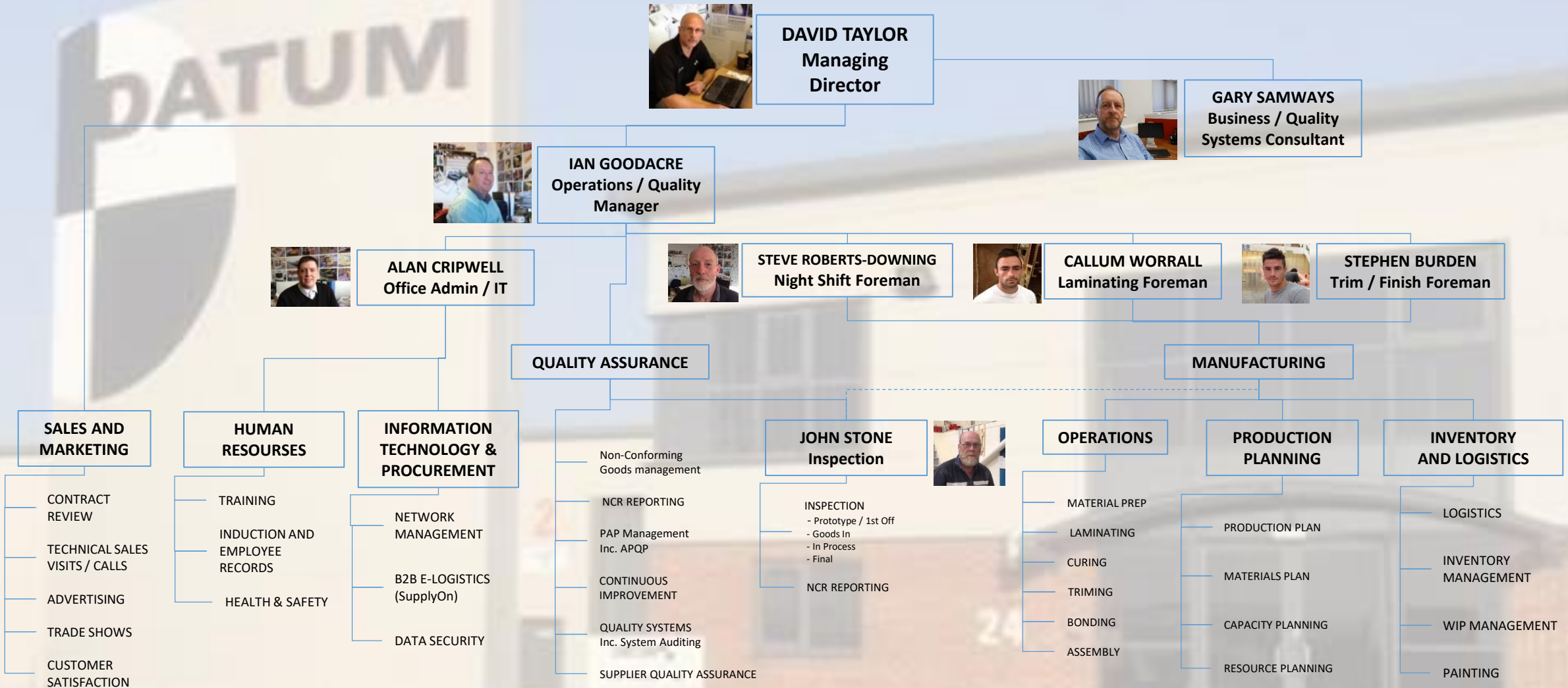
- Datum Composites + Garrandale Group successful in winning prestigious Crossrail contracts

- Datum move into custom designed premises – 22,000sq.ft facility bring the business together on one site

- Introduce Prepreg Phenolic
- Increase use of vac-bag process
- Install In-House Painting facility
- Establish Datum as Full System Provider, including sourcing and assembly of all metalwork and other componentry.

- Install Autoclave
- Increase turnover – target £4M
- No. 1 supplier of Pattern & Tooling + Composite Components and Assemblies to the Rail and associate markets

Composites Team



Our beginnings

DATUM COMPOSITES

First Steps

The Composite Products arm of Datum began to form in the early part of 2002. Historically Datum had always manufactured prototype model equipment for its customers to evaluate new designs and ideas. On occasions this also meant producing one or two prototype GRP items for a more detailed evaluation. After this stage was completed the project would move away from Datum and into the hands of specialist producers, so it was a natural step that Datum took to becoming a supplier of production GRP items.



Facts & Figures

- Location: ASCOT BUSINESS PARK, DERBY, UK.
(15 min. to M1 motorway, 20 min. to East Midlands Airport)
- Buildings: Factory 20,000 sq ft + Office 2000sq ft
- Full suite of CAD / CAM services available
- Full TURN-KEY solution
- Staff: 60 total (6 office + 52 factory)
- Capacity for expansion
- Turnover: 2015/16 c£2.6m



Quality

- Quality Management System accredited to ISO 9000:2008
- Many customer approvals, including D B Schenker / GMRT 2450 (BT)
- On path to gain IRIS accreditation
- Exploring accreditation for Bonding
- Executive Board member of Rail Forum East Midlands



Composite Products – Datum your one stop shop



Datum - The Total Solution

All through the stages of design Datum assist their Customers in advising on production techniques and all aspects of moulding. Datum offer the full `Turnkey Solution` from CAD Concept part to Reality Part and sub-assembled if required. Our Customers have one point of contact through the whole process ensuring quality outcomes.

Composite Products – Datum your one stop shop

...from concept

Early engagement with Customers on concept design is vital to ensure process and design are optimised for the chosen application.

Datum have extensive experience and skills in this area gained from the many and varied projects it has supported and the in-house product technical knowledge of FRP manufacture.

A Project file is created for each new major project and follows the PAP product introduction process.

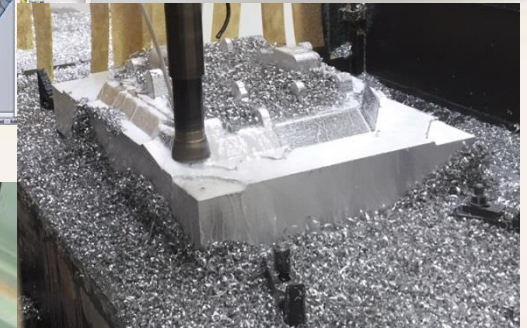
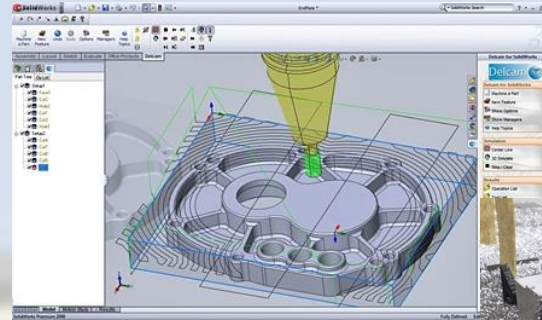


Composite Products – Datum your one stop shop

Pattern & Tooling

Datum have a state of the art CAD / CAM facility and can manufacture to your Cad Data or originate it for you. We have a highly skilled team of craftsmen and can produce accurate Pattern and Model equipment, by hand, from your sketches or drawings, if a more traditional approach is required.

Datum manufacture all its own tooling for either one off's or a thousand off. This means tooling is made exactly as we want it and suits our production techniques exactly. In many other cases tooling is `out sourced` and situations arise where conflict between tooling manufacturer and producer mean delays and a poorer quality product.



Composite Products – Datum your one stop shop

Prototype /
Mock-up

Datum can support clients with a pre-production prototypes or mock-ups for evaluation prior to series manufacture. In most cases these can be used to create production intent manufacturing tooling if preferred.



Composite Products – Datum your one stop shop

GRPh Panel Manufacture

Our skilled team of operators are able to produce high quality items to exacting standards and conforming to our clients requirements. All products pass through the Datum QA process and are fully tracked from beginning of manufacture to despatch



Composite Products – Datum your one stop shop

Datum not only manufacture GRP products but can also sub-assemble products to suit the clients requirements from simple built up items to large CAB or UWC sub assemblies Datum have the expertise and proven experience to support and add value to your project . We have a well established and proven supply-chain to be able to procure complex fabrications if required.

System Assembly
& Finishing



Composite Products – Datum your one stop shop

From initial concept to final delivery Datum can meet your needs, from one offs to large series production Datum is the `one stop shop`

.....to reality



Composite Products – Datum your one stop shop

Datum`s reputation in the market place has made it the preferred choice of the UKs ROSCOs and TOCs – Porterbrook Rail and East Midland Trains see Datum as their preferred supplier for damage repairs when only a warranted, best practice repair will do – this helps protect asset value and reduces the risk of operators having large repair bills at the end of franchise terms.

Repair



Composite Products – Aftersales Support

When you engage with Datum you can also be assured of our full support through the entire process. We will support your production line / process to ensure our manufactured products fit perfectly into your final assembly and meet your design intent



the only thing better than a happy customer is a delighted one.....



Composite Products – Datum your one stop shop



24 LONGBRIDGE LANE
ASCOT BUSINESS PARK
DERBY
DE24 8UJ

Tel : 01332 751503
Fax: 01332 385487

David Taylor (Director)
Mobile 07973 621086

Email : composites@datum-patterns.co.uk

