



MX-B455W/MX-B355W

Digital Multifunctional System

www.leemic.co.uk

 Leemic

SHARP

Be Original.

Powerful and compact – get more than you'd expect from an A4 device.

Time and space can be a luxury in a busy office. The technology you choose needs to support your productivity, making everyday processes quick and efficient.

We understand that some jobs demand the powerful performance of large workgroup MFPs. But we also know you need the benefits of a smaller footprint device. That's why we've launched the MX-B455W and MX-B355W compact A4 MFPs to bring you fast, convenient printing, copying and scanning; all the reliability and capability you expect from a larger device, but small enough to be used wherever you need.

From customised user interfaces to wireless connectivity and superior data security options, the new MX-B455W/MX-B355W offer enhanced functionality and the same great user experience you've come to expect from Sharp MFPs.

And with output speeds of 45ppm (MX-B455W) or 35ppm (MX-B355W) in black and white, you can be sure any job will be completed in no time.



A better way of working.

Flexible enough to suit your needs and with an easy-to-use interface for the right result, every time.

You're guaranteed an enhanced user experience with the MX-B455W and MX-B355W, thanks to the 7.0-inch colour LCD touchscreen, which can be tilted and customised to suit your way of working. And we've kept the user interface the same as other Sharp devices, so that switching to one of our new compact MFPs is as intuitive as can be.

With their space-efficient modular design these MFPs will suit any office environment, whether used as a desk top device or fully configured floor-standing configuration. You get both quantity and quality with the MX-B455W/ MX-B355W, thanks to the standard 550 sheet paper capacity (expandable to 2,350 sheets) and the optimal finishing capabilities for professional documents.

Of course, there's more to being flexible than being economical with space and having a great user-friendly interface. Want to scan a document and save it directly in the appropriate Microsoft Office file format? No problem. It's simple to digitise, store and share essential information thanks to the on-board OCR capability, which will convert them into editable Microsoft Office files, helping save you valuable time.

How about letting visitors use the device, even though they're not connected to the corporate network? We've got that covered too; Microsoft Office documents can be printed directly from USB drives, quickly and easily.



Compact, desk top configuration.



Expandable paper capacity.



Optional inner finisher.



Choose a compact, powerful Sharp MFP to get the flexibility and capability you require.

Easy connectivity and flexibility.

Whether you're in the office or working remotely, you can now print and scan with ease from any location.

We understand that you don't want to restrict your working day; you need to be able to work anywhere and at any time. The MX-B455W/MX-B355W series feature NFC and QR Code capabilities, meaning you can connect via your mobile device for easy printing and scanning wherever you are*.

Sharp's Open Systems Architecture allows you to integrate the MFP with network and cloud-based applications, while single sign-on allows you to access public cloud services, such as Google Drive, OneDrive, SharePoint, Microsoft Online, Box and Sharp Cloud Portal Office, directly from the MFP to increase productivity and save time.

We've also included the server-less print release function available on other Sharp devices in this compact A4 device, allowing you to securely send and store documents on the main MFP to print at another time from any networked MFP.



*Optional NFC card reader required

Scan documents quickly and accurately.

When time is short you can rely on Sharp MFPs to get the job done.

The MX-B455W MFP boasts black and white and colour scanning of up to 110 ipm for fast document digitisation, putting you in control of your document workflow.



100-sheet Duplex Single Pass Feeder.

And because we know that not everything you want to scan is a document, you can also quickly and accurately scan ID and business cards with ease.



Scan ID and Business Cards

The MX-B455W offers 100-sheet Duplex Single Pass Feeder, while a 50-sheet Reversing Single Pass Feeder is available with the MX-B335W; both are perfect for environments such as reception areas where scanning needs to be done without delay.



50-sheet Reversing Single Pass Feeder.

Total peace of mind.

Keep your data secure.

Data security is of utmost importance to all businesses, with regulations such as the EU's General Data Protection Regulation (GDPR) adding to the need to make compliance part of everyday operations. Thanks to the future-proof capabilities of the MX-B455W/MX-B355W MFPs, you can rest assured that all networks and data are protected thanks to the multi-layered security Sharp provides.

Sharp technology empowers productivity and protects valuable data; you can rely on our impressive security capabilities and advanced workflows to control usage and access, log activity and erase data after use, ensuring that confidential information and intellectual property are protected whether you're copying, scanning or printing.

And for even greater protection, you can benefit from Sharp's Hard Copy Device Protection Profile*¹ (HCD PP) standard required by government, military and legal organisations.*²

Energy conscious and environmentally aware

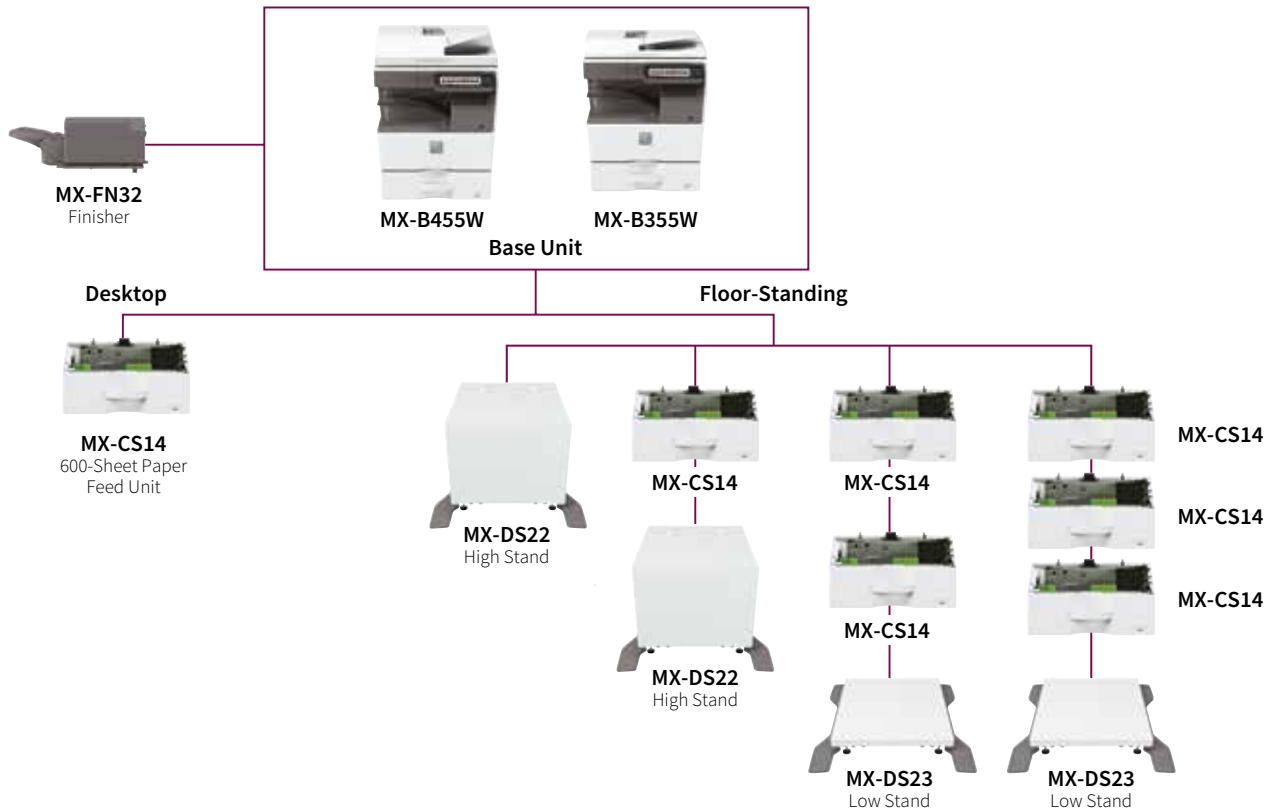
We know that environmental considerations are also important, and that's why our new MFPs allow you to fix a power on/off schedule to automatically turn the unit off at set times.

The innovative Eco Scan and Eco Recommendation functions further promote energy saving, giving you peace of mind that you're only using power when necessary.

*¹ Once enabled some functions may not be available.
HCD PP ver.1.0 - non Common Criteria.

*² Some features may require optional MX-FR59U Data Security Kit

Configurations



Options

MX-PF10

Barcode Font Kit

MX-FWX1

Internet Fax Expansion Kit

MX-USX1/X5

Sharpdesk 1/5-License Kit

MX-US10/50/A0

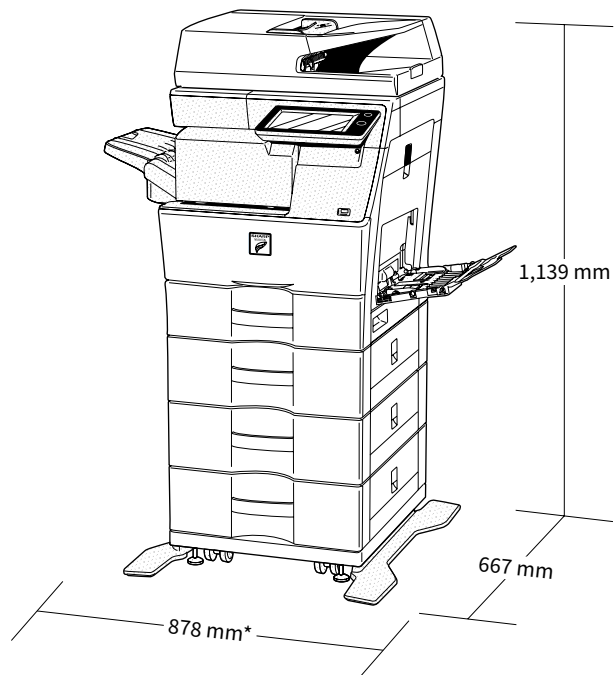
Sharpdesk 10/50/100-License Kit

MX-AMX1

Application Integration Module

MX-FR59U

Data Security Kit



Note: When placing the MFP on the floor, Sharp recommends placing it on an MX-DS22. If you are attaching two or three MX-CS14s, an MX-DS23 is required. Certain options may not be available in some areas.

Specifications

General

Engine speed (ppm/cpm) (Max) A4 ¹	
MX-B355W	35
MX-B455W	45
Control panel display	7.0-inch colour LCD touchscreen
Paper size ^{*2} (Min – Max)	A6 - A4
Paper weight (g/m ²)	
Drawer 1	60 - 105
Drawers 2 - 4	55 - 220
Multi-bypass	55 - 220
Paper capacity (Std – Max)	
Sheets	550 - 2,350
Drawers	1 - 4 (plus bypass tray)
Warm-up time ^{*3} (seconds)	20
Memory (GB)	
Copier/Printer (shared)	5
HDD ^{*4}	500
Power requirements	Rated local AC voltage ±10%, 50/60 Hz
Power consumption (kW) (Max) 1.84 (220 to 240V)	
Dimensions (mm) (W x D x H) ^{*5}	
MX-B355W	492 x 517 x 588
MX-B455W	492 x 517 x 638
Weight (kg) (approx.)	
MX-B355W	31
MX-B455W	33

Copier

Original paper size (Max)	A4
First copy time ^{*6} (seconds)	
MX-B355W	5.3
MX-B455W	3.7
Continuous copies (Max)	9,999
Print Resolution (dpi)	
Scan	600 x 600, 600 x 400
Gradation levels	256
Zoom range (%)	25 – 400, (25 – 200 using RSPF/DSPF) in 1% increments
Preset copy ratios (Metric)	10 ratios (5R/5E)

Wireless LAN

Compliant regulation	IEEE802.11n/g/b
Access mode	Infrastructure mode, Software AP mode
Security	WEP, WPA/WPA2-mixed PSK, WPA/WPA2-mixed EAP ^{*7} , WPA2 PSK, WPA2 EAP ^{*7}

Network scanner

Scan method	Push scan (via control panel) Pull scan (TWAIN-compliant application)	
Scan speed ^{*8} (ipm)	One-sided	Two-sided
MX-B355W	40	18
MX-B455W	70	110
Resolution (dpi) (Max)	100, 150, 200, 300, 400, 600	
Push scan	75, 100, 150, 200, 300, 400, 600, 50 to 9,600 dpi via user setting	
Pull scan		
File formats	TIFF, PDF, PDF/A, encrypted PDF, compact PDF ^{*9} , JPEG ^{*9} , XPS, searchable PDF, OOXML (docx, xlsx, pptx), text (TXT), rich text (RTF)	
Scan destinations	Scan to e-mail, desktop, FTP server, network folder (SMB), USB memory, HDD	
Scanner utilities	Sharpdesk	

Document filing

Document filing capacity ^{*10}	Pages	Files
Main & custom folders	20,000	3,000
Quick file folder	10,000	1,000
Stored jobs ^{*11}	Copy, print, scan, fax transmission	
Storage folders	Quick file folder, main folder, custom folder (max. 1,000)	

Network printer

Resolution (dpi)	600 x 600, 9,600 (equivalent) x 600
Interface	USB 2.0, 10Base-T/100Base-TX/1000Base-T
Supported OS	Windows Server ^{*12} 2008, 2008R2, 2012, 2012R2, 2016, Windows ^{*12} 7, 8.1, 10 Mac OS X 10.6, 10.7, 10.8, 10.9, 10.10, 10.11, 10.12
Network protocols	TCP/IP
Printing protocols	LPR, Raw TCP (port 9100), POP3 (e-mail printing), HTTP, FTP for downloading print files, IPP, SMB, WSD
PDL	Standard: PCL, Genuine Adobe [®] PostScript ^{®3TM}
Available fonts	80 fonts for PCL, 139 fonts for Adobe [®] PostScript ^{®3TM}

Fax

Compression method	MH/MR/MMR/JBIG
Communication protocol	Super G3
Transmission time ^{*12} (seconds)	Less than 3
Modem speed (bps)	33,600 – 2,400 with automatic fallback
Recording width	A4 – A5
Memory (GB)	1 (built-in)

^{*1} Short-edge feeding. ^{*2} Only short-edge feeding can be used with A5 paper. ^{*3} 20 seconds. when starting the MFP via the power button; 30 seconds. when starting via the main power switch. At rated voltage, 23°C (73.4°F). May vary depending on operating conditions and environment. ^{*4} HDD capacity depends on procurement and sourcing status. ^{*5} Including adjusters and protuberances ^{*6} Short-edge feeding of A4 sheets from 1st paper tray, using document glass, without Auto Colour Selection and Auto Colour mode, MFP in fully ready condition. May vary depending on operating conditions and environment. ^{*7} Not applicable to Software AP mode. ^{*8} Based on Sharp's A4 standard chart, using document feeder and short-edge feeding. Using factory default settings with Auto Colour Selection off. Scan speed will vary depending on the type of document and the scan settings. ^{*9} Colour/greyscale only. ^{*10} Storage capacity will vary depending on the type of document and the scan settings. ^{*11} Some features require option(s). ^{*12} Based on Sharp's standard chart with approx. 700 characters (A4 short-edge feeding) at standard resolution in Super G3 mode, 33,600 bps, JBIG compression.

Design and specifications are subject to change without prior notice. All information was correct at time of print. The ENERGY STAR logo is a certification mark and may only be used to certify specific products that have been determined to meet the ENERGY STAR programme requirements. ENERGY STAR is a US registered mark. Windows, Windows NT, Windows XP and Windows Vista are registered trademarks of Microsoft Corporation. Adobe and PostScript 3 are either registered trademarks or trademarks of Adobe Systems Incorporated in the U.S. and/or other countries. All other company names, product names and logotypes are trademarks or registered trademarks of their respective owners. ©Sharp Corporation December 2017. Ref: MX-B355W/MX-B455W Job:18719. All trademarks acknowledged. E&OE.