

TC SERIES

Screw connect tipper couplings

INTRODUCTION

Holmbury's TC Series screw connect tipper couplings are designed for use on tipper trucks. The female coupling has a wing nut sleeve which enables operators to connect the couplings by hand, even when there is low residual pressure in the line.

CONSTRUCTION

- Carbon steel with trivalent plating
- Fitted with Nitrile seals

FEATURES

- Screw connect design eliminates brinelling
- Wing nut sleeve design allows connection by hand
- Can be connected with up to 50 bar residual pressure in the hydraulic circuit
- Bidirectional flow
- Male has external thread for bulkhead mounting

ACCESSORIES

- Dust Caps and Plugs are available for the TC Series



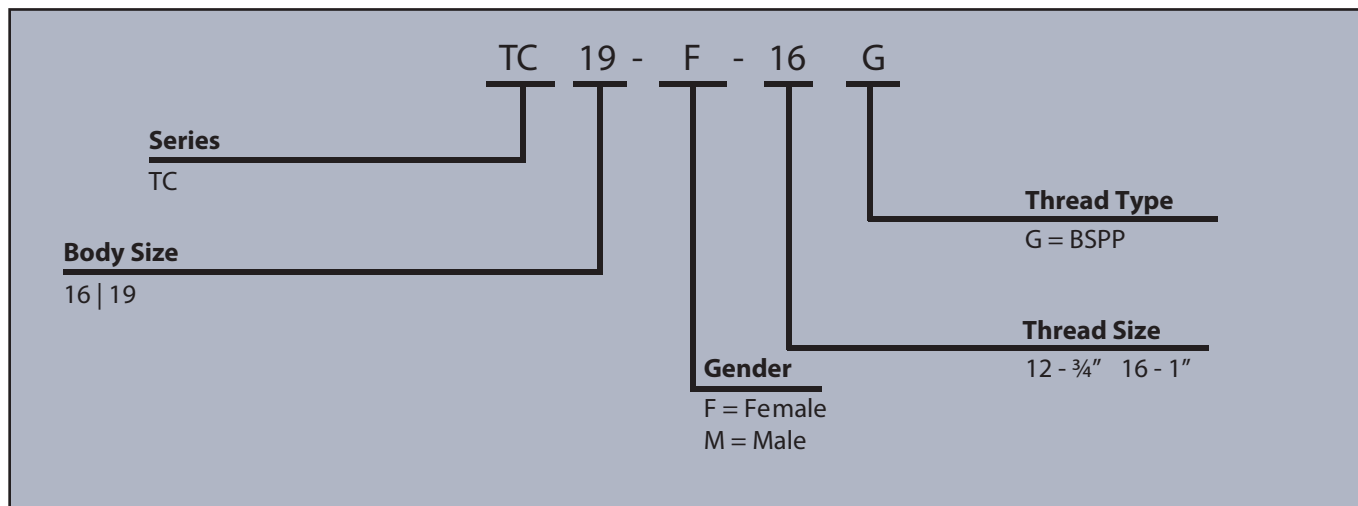
SPECIFICATIONS

- Operating temperatures (With Nitrile seals): -40°C (-40°F) to 106°C (223°F)

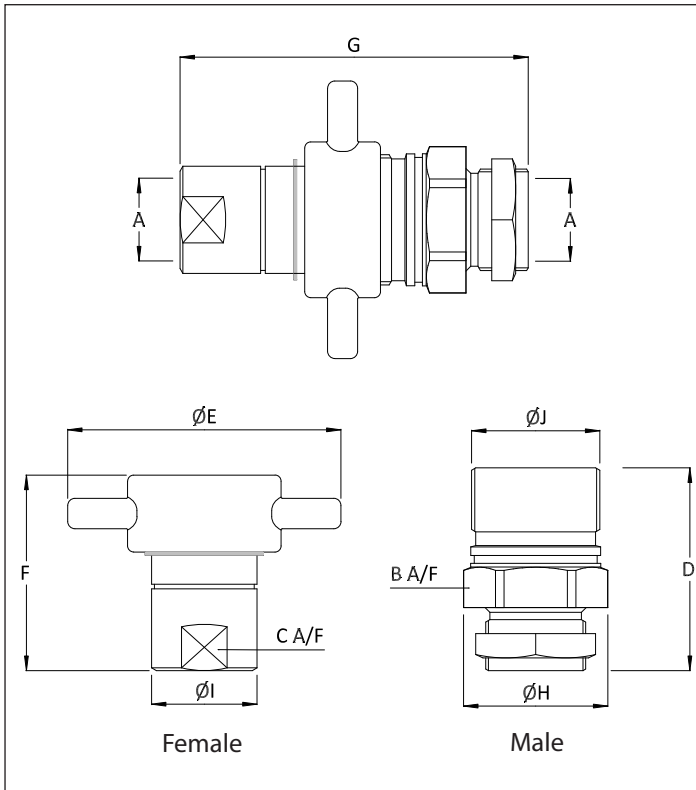
APPLICATIONS

- Tipper trucks
- Commercial vehicle trailers, agricultural equipment and construction plant
- Mobile plant

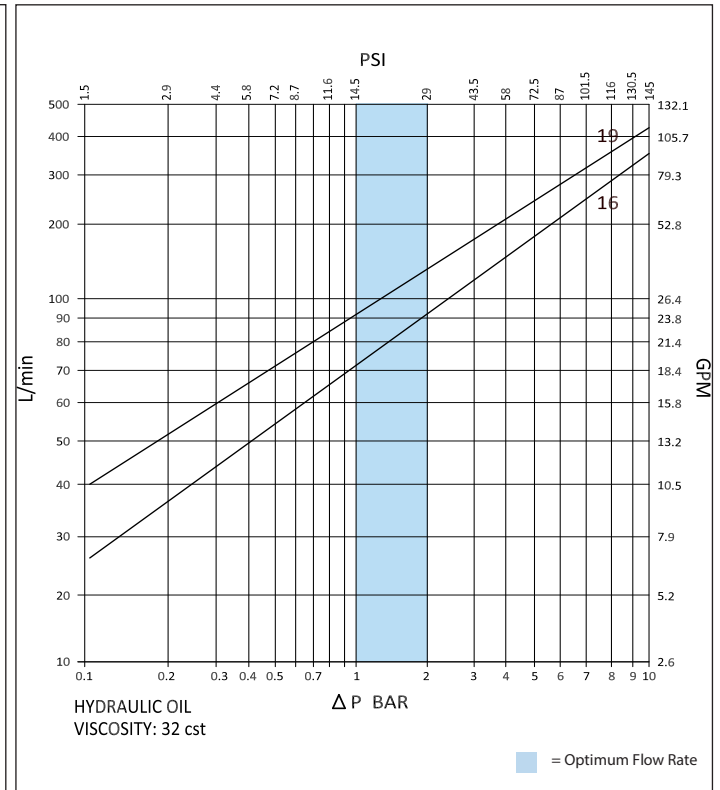
ORDER CODES



DRAWING



PRESSURE DROP CHARACTERISTICS



DIMENSIONS

Size	Thread Size (A)	B	C	D	ϕE	F	G	ϕH	ϕI	ϕJ	Maximum Working Pressure	Burst Pressure (Coupled)	Burst Pressure (Male)	Burst Pressure (Female)
		Dimensions in mm									Bar			
		Dimensions in Inches									Psi			
TC 16	3/4"	46.0	33.0	78.0	114.0	74.5	132.5	51.5	37.0	44.5	350	1325	1100	1300
		1.8	1.3	3.1	4.5	2.9	5.2	2.0	1.5	1.8	5075	19213	15950	18850
TC 19	1"	55.0	40.0	83.5	114.0	80.0	144.8	60.5	44.0	53.5	300	1325	1200	900
		2.2	1.6	3.3	4.5	3.1	5.7	2.4	1.7	2.1	4350	19213	17400	13050

PSI= Bar x14.5 Inches= mm/25.4

