

# SLIM • TECHNICAL DATA

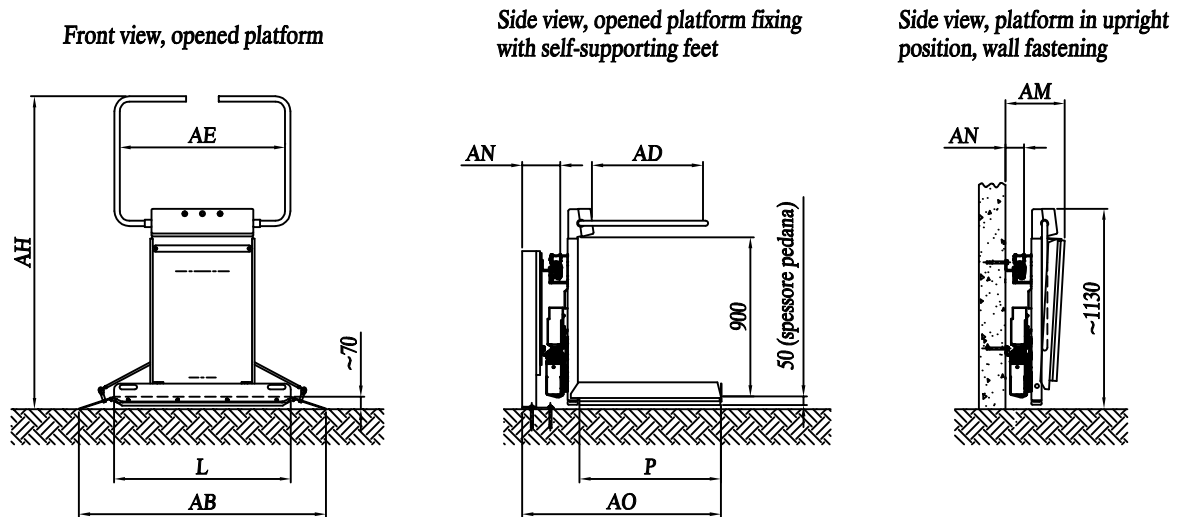


Table 1 - LOGIC minimum dimensions

L×P	Platform (length × width)	750×600	750×650	750×700	850×650	850×700	1000×800
AB	Total platform length	1150	1150		1250	1400	
AD	Total useful width within barrier arms	530	580		580	655	
AE	Total useful length within barrier arms	755	755		835	985	
AH	Total height in parking position	1640	1690		1690	1765	

Table 2 - Overall dimensions as per fixing kind

Fixing kinds		wall fastening	self-supporting feet
AN	Spacing between rail external side and wall	95	175
Positive bend with gradient up to 60°			
AM	Overall dimensions with closed platform	305	385
AO	Overall dimensions with opened platform *	910	990
Positive bend with gradient less than 20°:			
AM	Overall dimensions with closed platform	325	405
AO	Overall dimensions with opened platform *	930	1010
Negative bend			
AM	Overall dimensions with closed platform	325	405
AO	Overall dimensions with opened platform *	930	1010

Table 3 - Features

Load capacity	225 Kg (daN)
Unit weight	102 Kg (daN) **
Rail weight	10 Kg (daN)/m
Maximum power	1.5 kW
Main voltage	230V (ac) 50Hz
Control circuits voltage	24V (dc)
Speed	0.1 m/s max.

The overall dimensions with opened platform AO are given for platforms 750x700 and 850x700. For other platforms see table 5.  
 \*\* Platform 750×700.

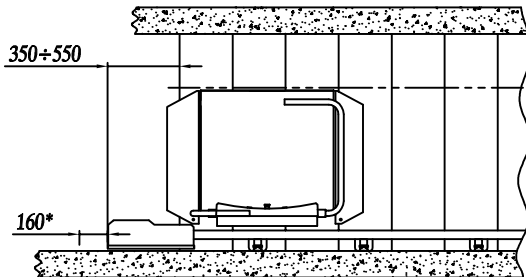
cod. D10G41000

# SLIM

## STANDARD STAIRS FLIGHTS - Minimum dimensions

### END TRAVEL DIMENSIONS

#### UPPER FLOOR



#### LOWER FLOOR

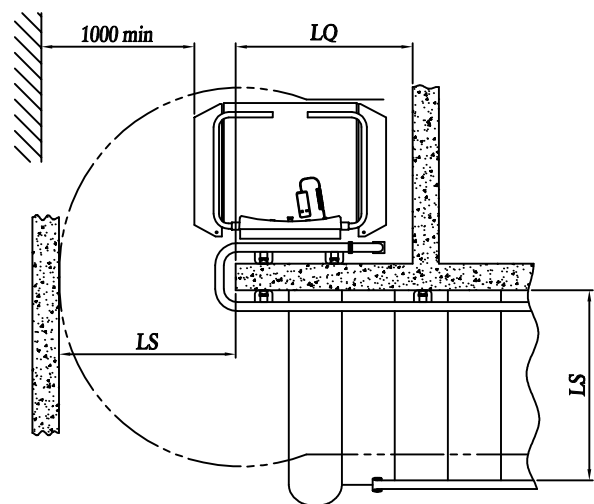
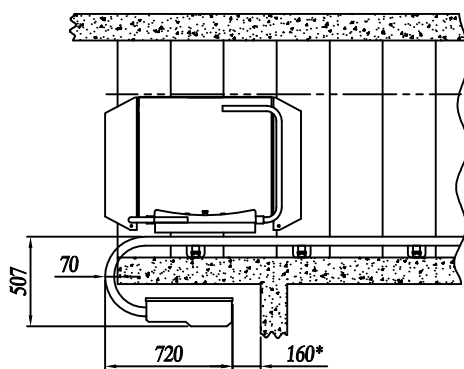
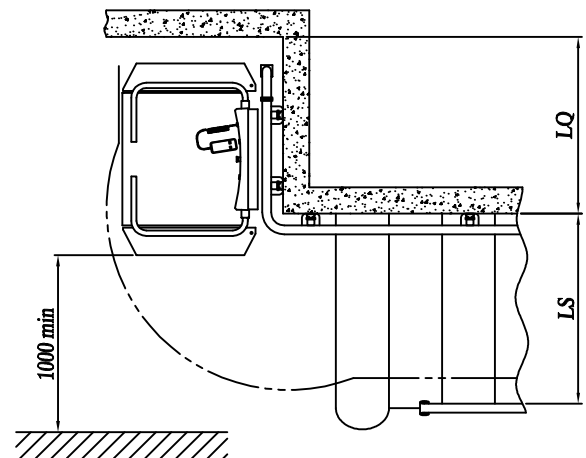
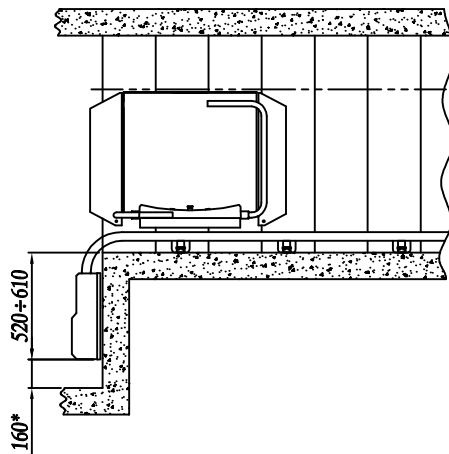
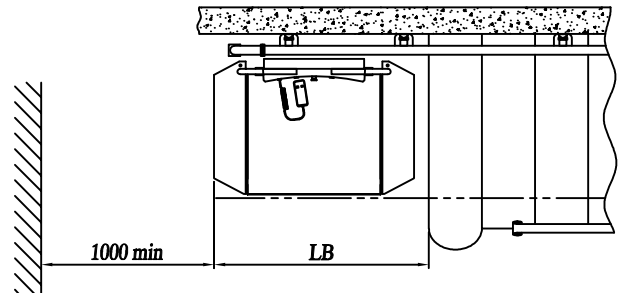


Table 4 - SLIM theoretical overall dimensions

L×P	Platform (length × width)	750×600	750×650	750×700	850×650	850×700	1000×800
LB	Overall dimensions platform in the parking**	1200	1200	1200	1300	1300	1450
LS	Stair min. width	895	935	975	965	1005	1130
LQ	Min. space for parking with curve	755	755	755	755	985	985

\* Min. space required for emergency manual manoeuvre.

\*\* With gradient  $\beta = 50^\circ$

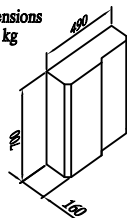
cod. D10G41000

IMPORTANT NOTICE: indicative information referring to the general features of the product are contained in this catalogue. Extrima reserve the right to change the characteristics here described without prior notification.

# SLIM

## EXAMPLE OF UNIT WITH POSITIVE AND NEGATIVE BENDS

Motor hood dimensions  
Weight 18 kg



Electrical panel dimensions  
Weight 18 kg

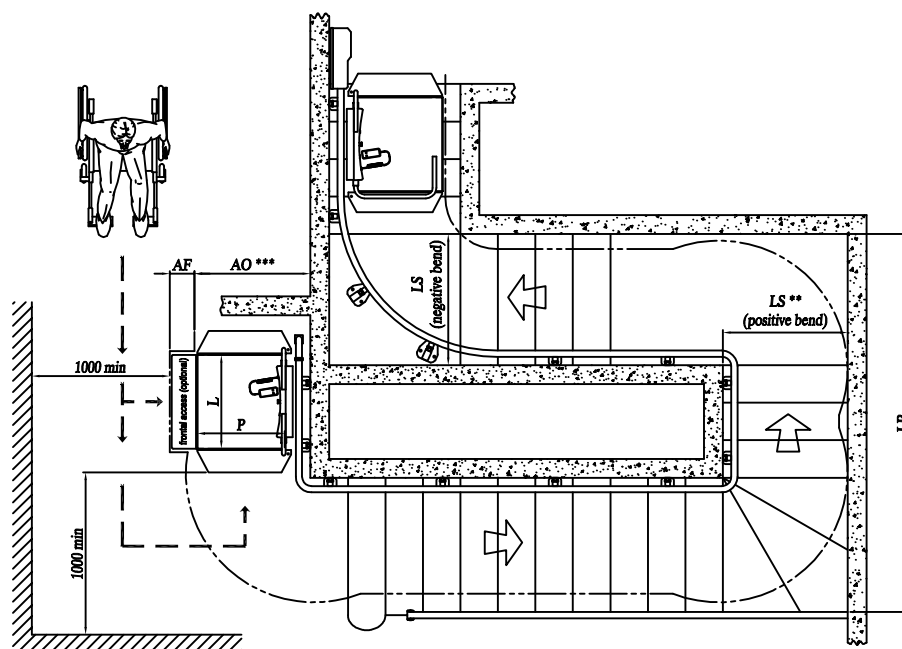
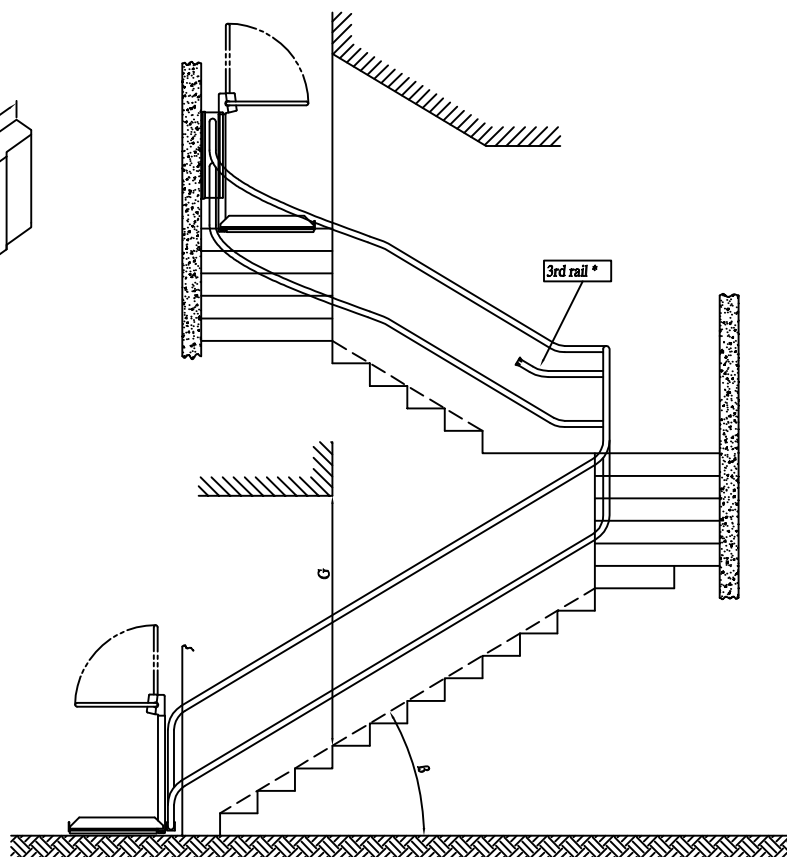
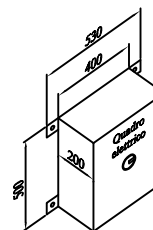


Table 4 - SLIM theoretical overall dimensions

LxP	Platform (length x width)	750x600	750x650	750x700	850x650	850x700	1000x800	1250x800	
B	Stair gradient	from 0° up to 60°							
G	Min. height from step to ceiling with $\beta=20^\circ$	1680			1700		1725	1770	
LS (AO)	Min. stair width - positive bend	wall fastening	895 (810)	935 (860)	975 (910)	965 (860)	1005 (910)	1130 (1010)	1215 (1010)
		with self supporting feet	975 (890)	1015 (940)	1055 (990)	1045 (940)	1085 (990)	1210 (1090)	1295 (1090)
	Min. stair width - negative bend	wall fastening	1045 (870)	1080 (920)	1115 (970)	1170 (920)	1205 (970)	1390 (1070)	1655 (1070)
		with self supporting feet	1125 (950)	1160 (1000)	1195 (1050)	1250 (1000)	1285 (1050)	1470 (1150)	1735 (1150)
LR	Total min. width	with positive bend	1870	1950	2030	2010	2090	2335	2540
		with negative bend	2945		3545		4345	6145	
AF	Ingombro extra in parcheggio con accesso frontale	+175							

\* 3rd rail for sections with gradient  $\beta$  between 0° and 20°  
 \*\* The overall dimensions LS and AO must be increased of +20mm in case of 3rd rail.  
 \*\*\* The overall dimensions with opened platform AO must be increased of +25mm in case of frontal access (optional).