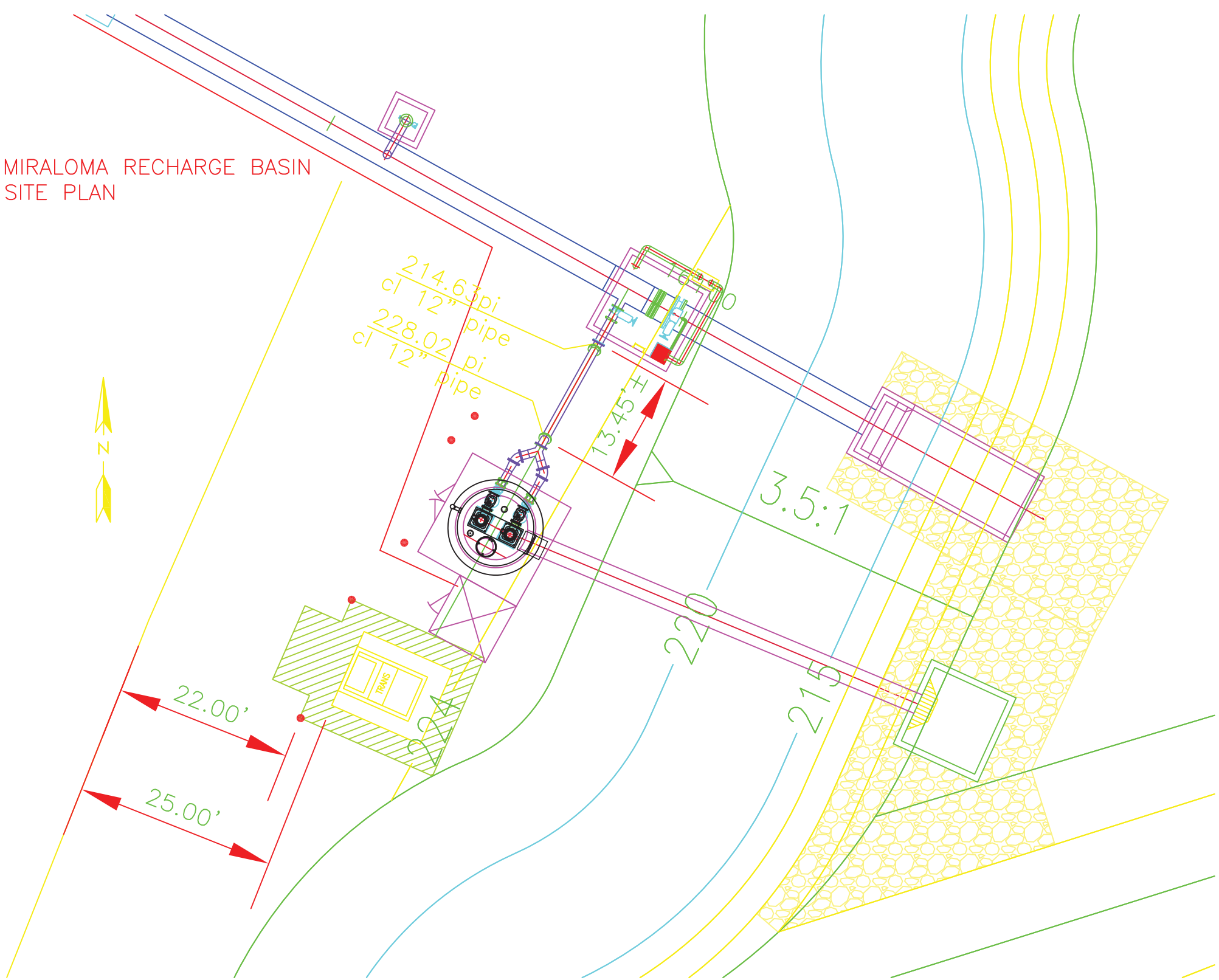
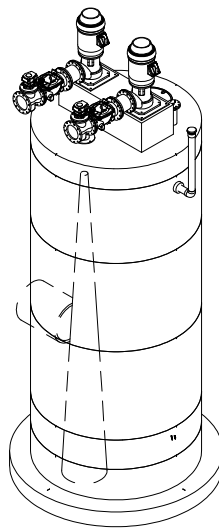


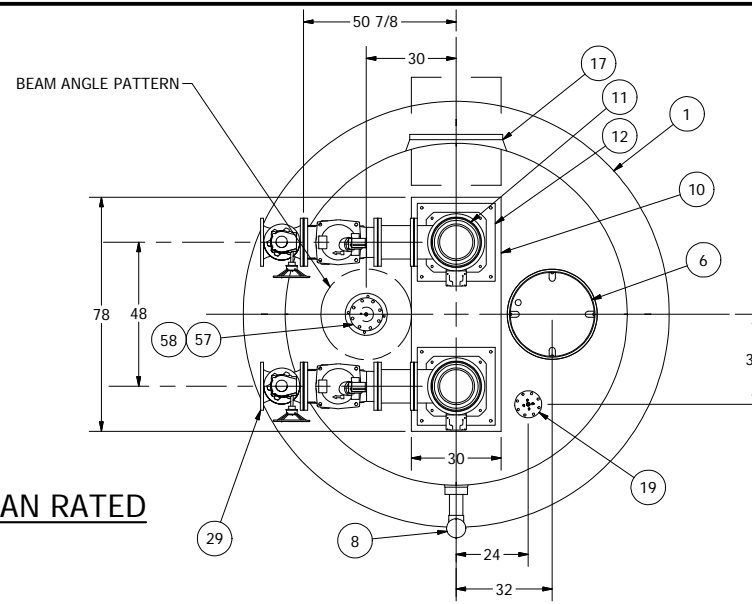
MIRALOMA RECHARGE BASIN
SITE PLAN



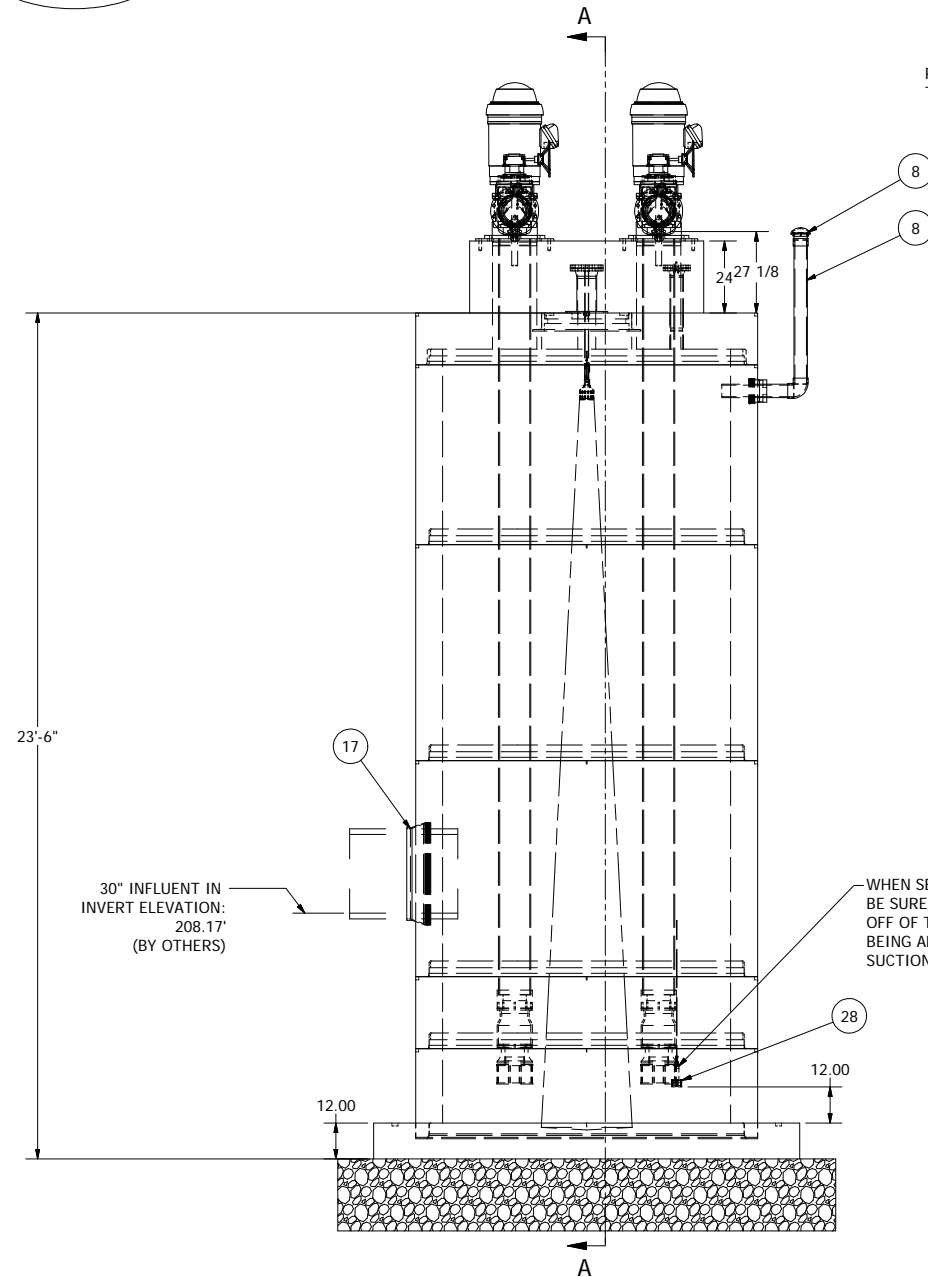
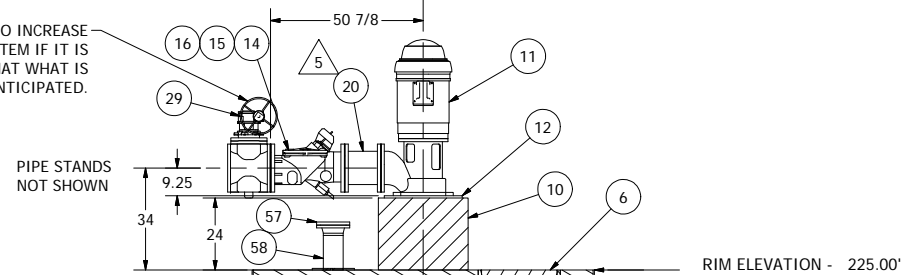


| SENSOR AND ELEVATION TABLE | | |
|----------------------------|-------------------------|-----------------------|
| LEVEL ELEVATION | DISTANCE BETWEEN POINTS | SET POINT DESCRIPTION |
| 208.17 | | WATER INVERT IN |
| 221.00 | | HIGH LEVEL ALARM |
| | 0.50 | SENSOR SPACING |
| 220.50 | | LAG PUMP START |
| | 0.50 | SENSOR SPACING |
| 220.00 | | LEAD PUMP START |
| | 14.00 | SENSOR SPACING |
| 206.00 | | PUMP STOP |
| | 3.50 | DISTANCE TO FLOOR |
| 202.50 | | FLOOR ELEVATION |

NOTE: WET WELL TOP SLAB IS PEDESTRIAN RATED



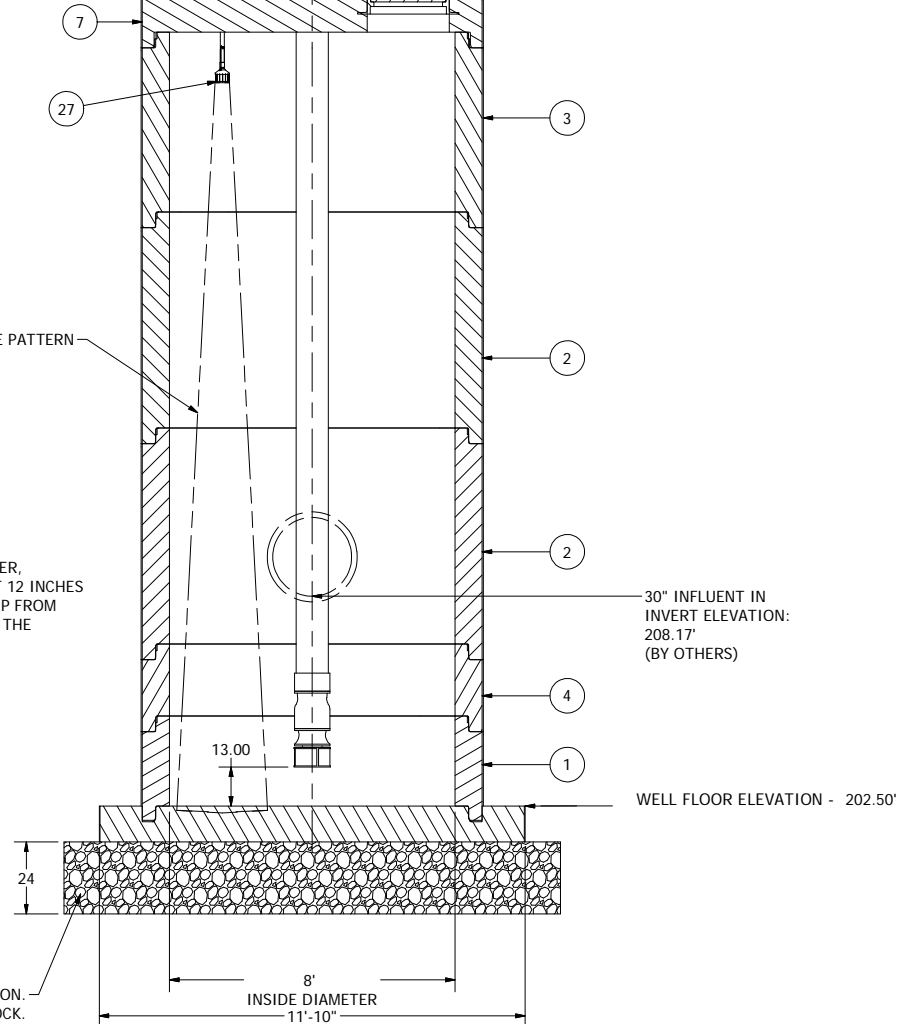
PLUG VALVE IS USED TO INCREASE THE TDH FOR THE SYSTEM IF IT IS ACTUALLY LOWER THAN WHAT IS ANTICIPATED.



TRANSDUCER BEAM ANGLE PATTERN

WHEN SETTING UP THE PRESSURE TRANSDUCER, BE SURE TO KEEP THE TRANSDUCER AT LEAST 12 INCHES OFF OF THE FLOOR. THIS WILL KEEP THE PUMP FROM BEING ABLE TO SUCK THE TRANSDUCER INTO THE SUCTION BELL.

BASE ROCK COMPACTED TO 95% COMPACTION. 1" CRUSHED ROCK. ROCK IS SUPPLIED BY OTHERS NOT ROMTEC UTILITIES.



SECTION A-A
SCALE 1/32

NOTE: ALL DIMENSIONS AND ELEVATIONS SHOWN ARE NOMINAL DIMENSIONS. IT IS THE RESPONSIBILITY OF THE ON-SITE CONTRACTOR OR ROMTEC UTILITIES CUSTOMER (NOT ROMTEC UTILITIES) TO VERIFY THE ACCURACY OF ANY CRITICAL DIMENSIONS OR ELEVATIONS PRIOR TO SETTING OR INSTALLING ANY EQUIPMENT.

© 2011 ROMTEC INC. ALL RIGHTS RESERVED. THESE PLANS AND DRAWINGS MAY NOT BE REPRODUCED, ADAPTED, OR FURTHER DISTRIBUTED, AND NO COMPONENTS MAY BE CONSTRUCTED FROM THESE PLANS, WITHOUT WRITTEN PERMISSION OF ROMTEC, INC.

| REV | DESCRIPTION | DATE | APPROV |
|-----|---|----------|--------|
| 8 | ADDED PRESSURE TRANSDUCER NOTE AND REVISED ULTRASONIC TRANSDUCER SPOOL REVISED QTY FOR SEALANT FOR PRODUCTION | 6/28-12 | AD |
| 7 | ADDED PLUG VALVE TO ASSEMBLY | 2/17/12 | AD |
| 6 | REVISED PER 12/20/11 COMMENTS | 1/11/12 | AD |
| 5 | PUMP CHANGED TO 30HP | 12-21-11 | AD |
| 4 | REVISED PER 9/8/11 COMMENTS | 9-16-11 | AD |
| 3 | REVISED P.T. AND ADDED POWER CABLE NOTE | 9-9-11 | AD |
| 2 | COMPONENT DRAWING | 9-1-11 | AD |
| 1 | | 8-25-11 | AD |

VERIFY SCALE
BAR IS ONE INCH ON ORIGINAL DRAWING
1" = 0'
IF NOT ONE INCH ON THIS SHEET, ADJUST SCALES PROPORTIONALLY

COMPONENT DRAWING

ROMTEC UTILITIES
18240 NORTH BANK ROAD
ROSEBURG, OREGON 97470
(541) 496-9678
FAX (541) 496-0804

KEVIN BRANDT
MIRALOMA RECHARGE BASIN
8' WET WELL W/ TURBINE PUMPS

SHEET
1 OF 2
JOB NUMBER
RMTC
0000