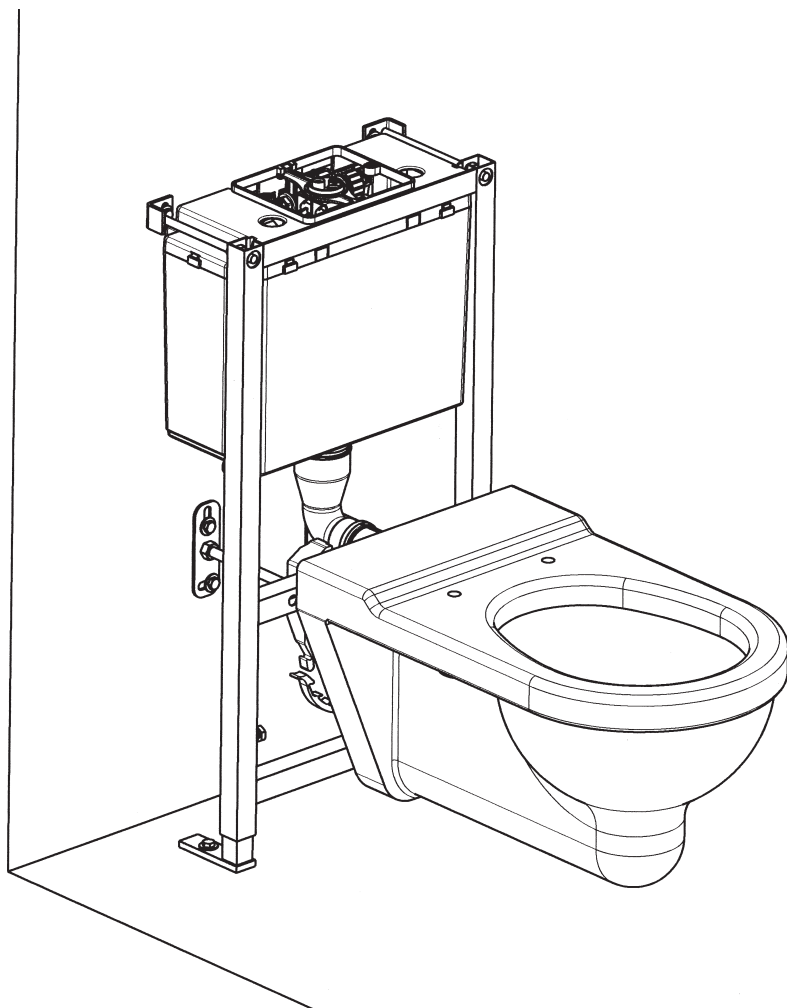


SIAMP

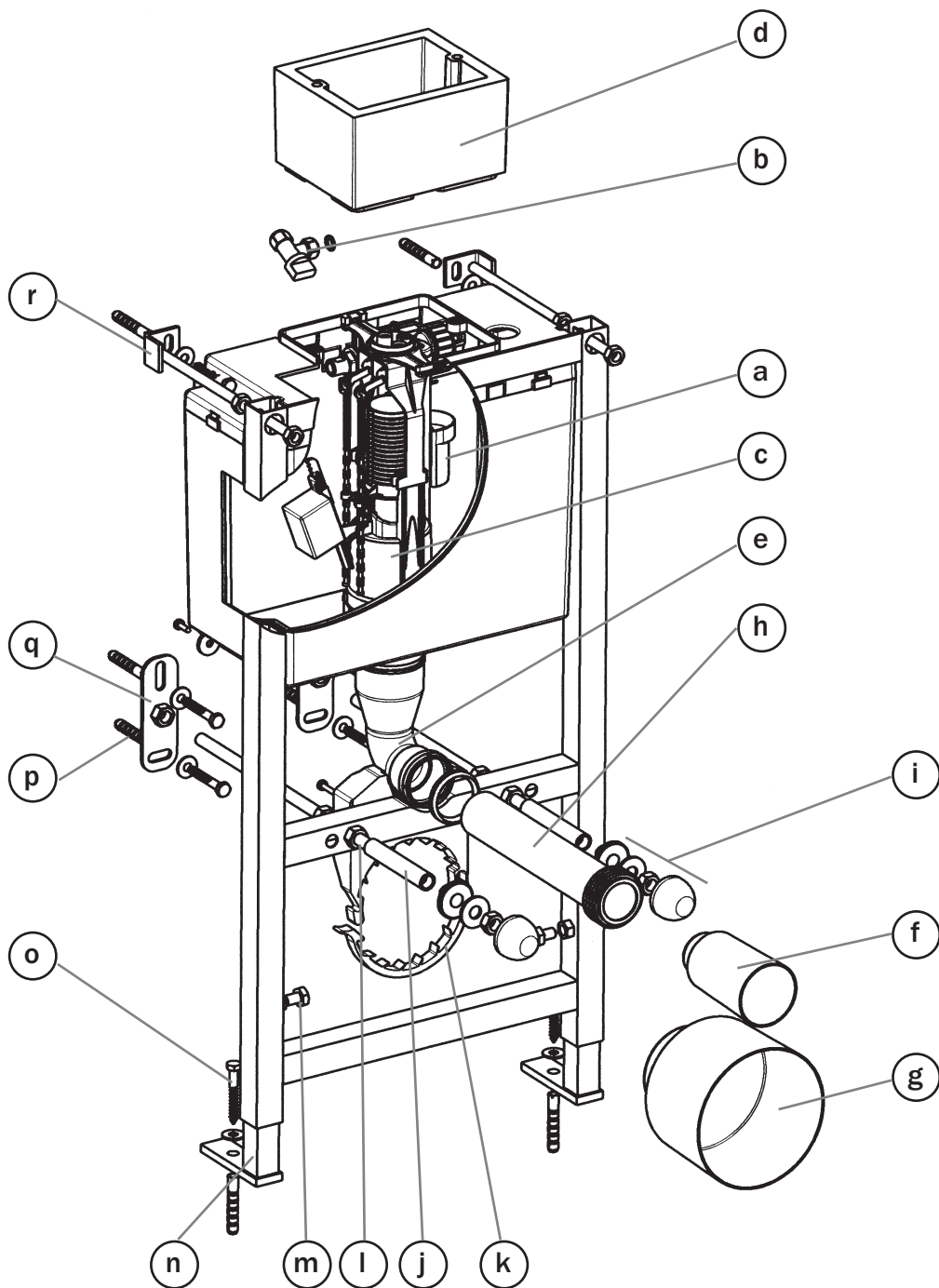
Monaco



CISTERN FRAME
VERSO BCM 800 OD

ASSEMBLY AND MAINTENANCE MANUAL

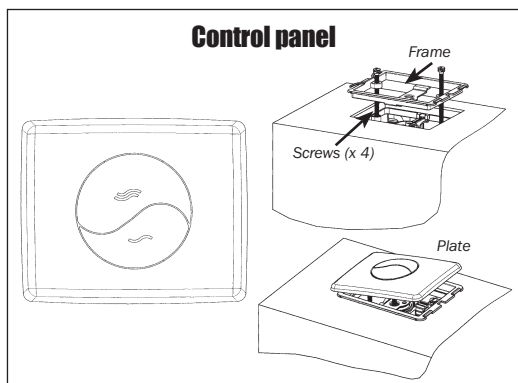
DESCRIPTION



- (a) Float valve
- (b) Shut-off valve
- (c) Mechanism
- (d) PSE template
- (e) Supply bend
- (f) Supply bend cap
- (g) Toilet pipe cap
- (h) Supply sleeve
- (i) Bowl attaching kit

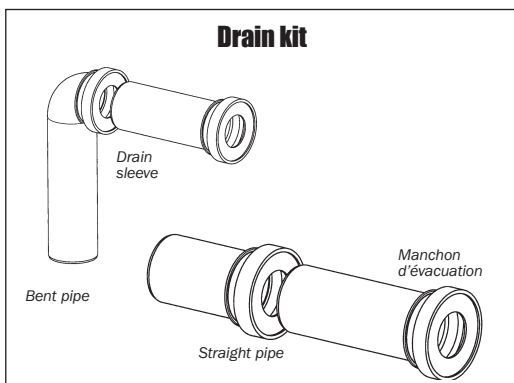
- (j) Flexible sheaths (x 2)
- (k) Pipe attaching collar
- (l) Toilet bowl attaching rods (x 2)
- (m) Setscrew (x 2)
- (n) Adjustable foot (x 2)
- (o) Screw plug (x 8)
- (p) Plug (x 8)
- (q) Toilet bowl stud attaching tab (x 2)
- (r) Attaching bracket

ACCESSORIES



White double volume plate
 Chrome double volume plate

Ref. 31 1802-10
 Ref. 31 1852-10



Bent drain kit
 Straight drain kit

Ref. 92 4000-07
 Ref. 92 4010-07

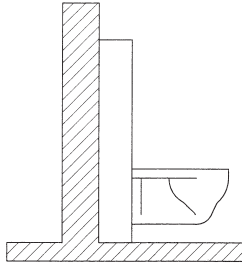
Tools required:

- Set of wrenches from 8 to 19 mm
- Hack saw
- Electric drill + bit dia 10 mm
- Spirit level
- Pencil + ruler
- Tape measure
- Hammer
- Screw driver

Advice:

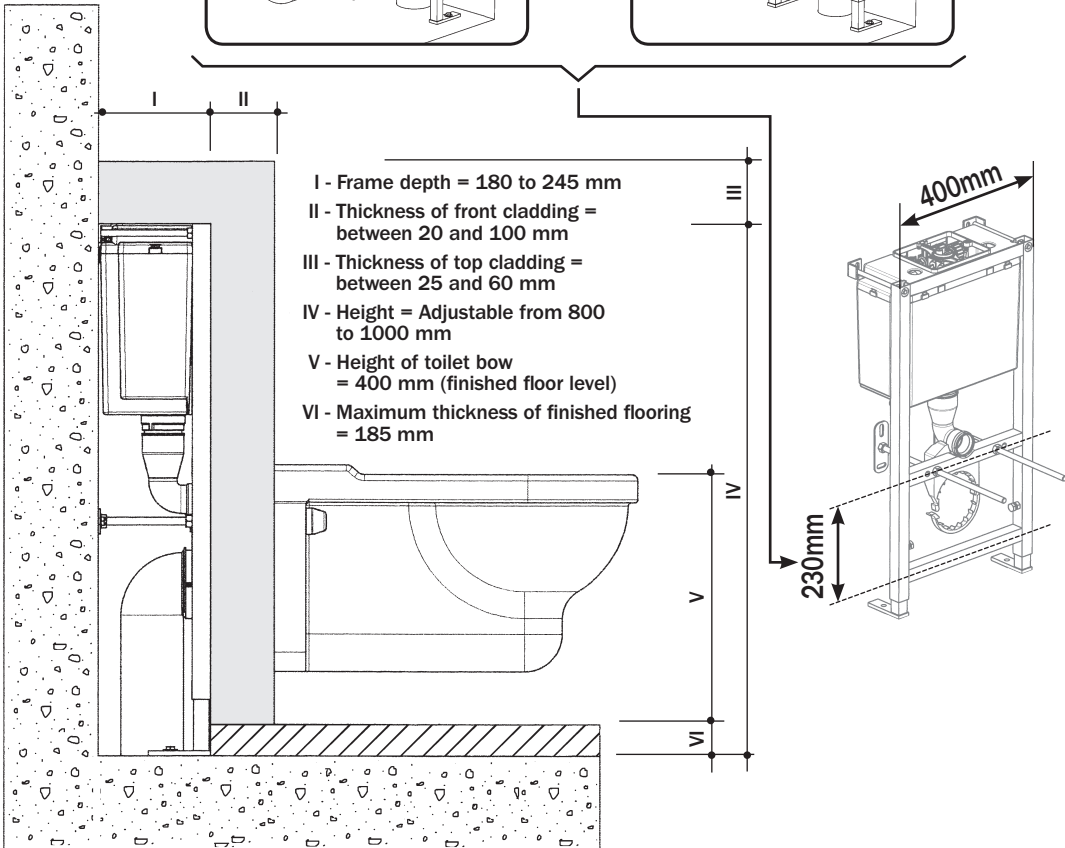
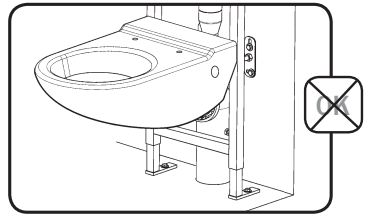
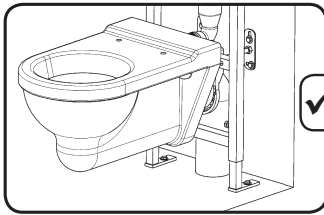
- Keep the product package during installation: there is a cutting template on the back
- Keep these instructions safety for any maintenance operations.

INSTALLATION TYPES

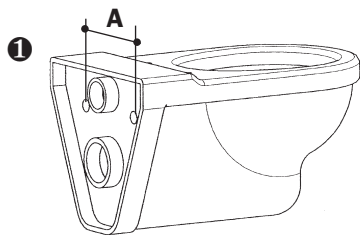


❶ Wall fixing

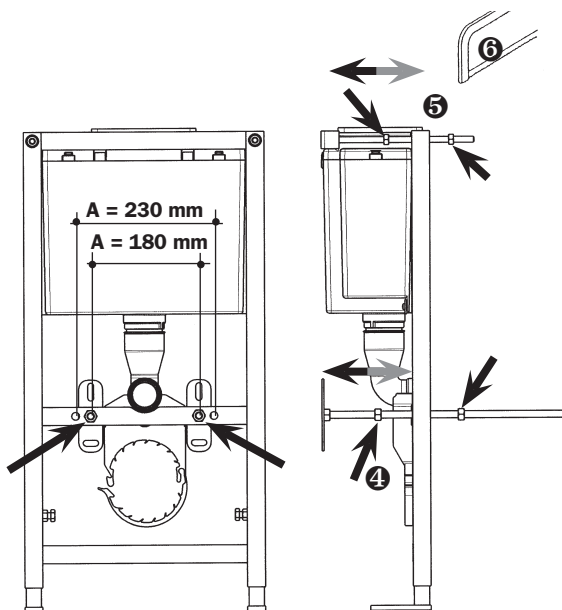
EFFECTIVE DIMENSIONS



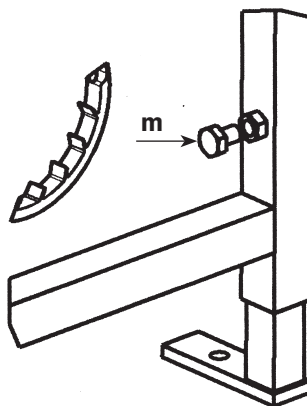
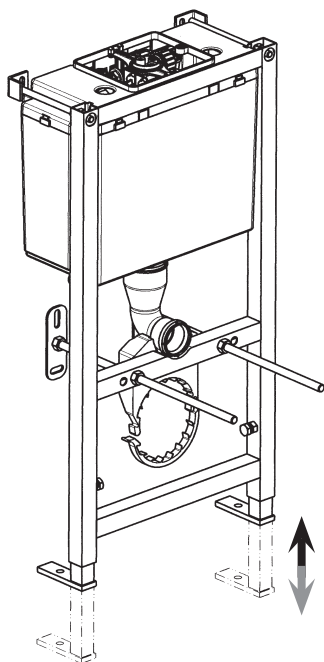
I - ASSEMBLING THE TOILET BOWL ATTACHING RODS AND WALL FIXING



- ❶ Measure the center distance of the toilet bowl (A)
- ❷ Insert the rods (l) into the holes of the frame, corresponding to the center distance
- ❸ Position the frame in place
- ❹ Secure the attaching tabs (q) to the rods (l), position the assembly against the wall and lock with the nuts.
- ❺ Position the wall mounting bracket (r) against the wall and attach it with the nuts, first checking that the frame is vertically level
- ❻ Use a hacksaw to cut the threaded rods of the bracket protruding from the frame

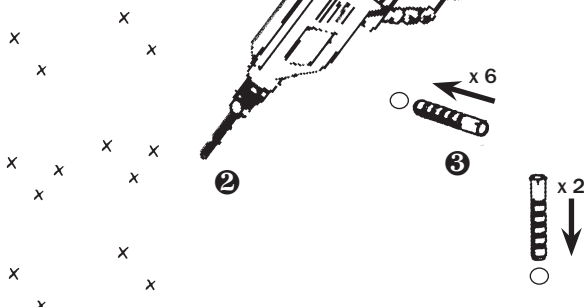
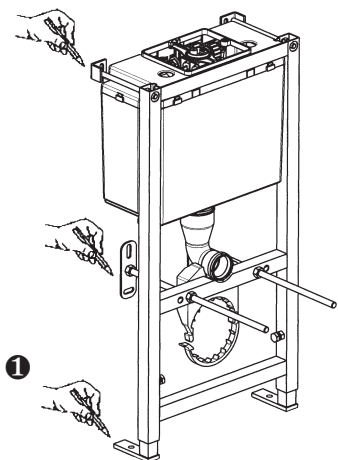


II - ADJUSTMENT OF THE FRAME HEIGHT



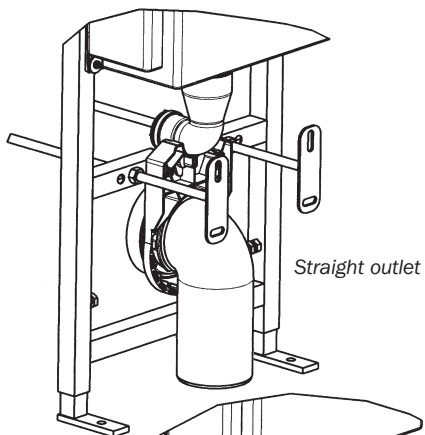
- ❶ Position the frame in its final location
 - ❷ Undo the 2 setscrews (m)
 - ❸ Adjust the height of the feet so that the top of the toilet bowl is at a height of 400 mm from the finished floor level.
 - ❹ Check that the frame is level (vertically and horizontally) and tighten the setscrews
- ⚠ If the frame is being attached to an unfinished floor surface, the maximum thickness of the finished floor surface shall not be more than 185 mm.

III - PREPARING FOR ATTACHMENT



- ❶ Mark the drilling points (6 for wall and 2 for floor)
- ❷ Remove the frame and drill to a depth of 70 mm at the least, using an 10 mm diameter drill bit
- ❸ Position the screw plugs in the holes
- ❹ Move the frame back in place and connect the drain pipe

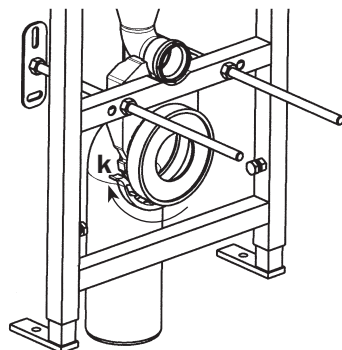
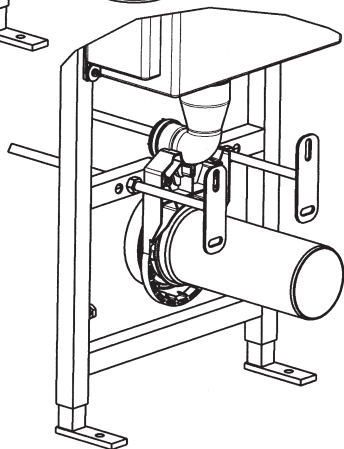
IV - CONNECTING THE DRAIN OUTLET



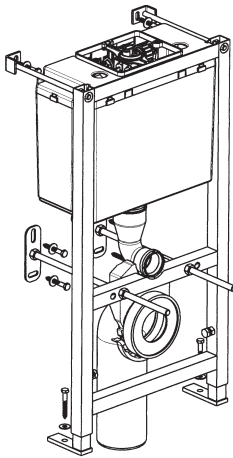
- ❶ Attach the collar (k)
- ❷ Position the drain outlet pipe
- ❸ Tighten the collar (k)

⚠ Before gluing the drain outlet pipe to the main drain pipe, ensure that the frame is correctly positioned.

If the drainpipe is not opposite the outlet pipe, the connection can be made using PVC bends and couplings.

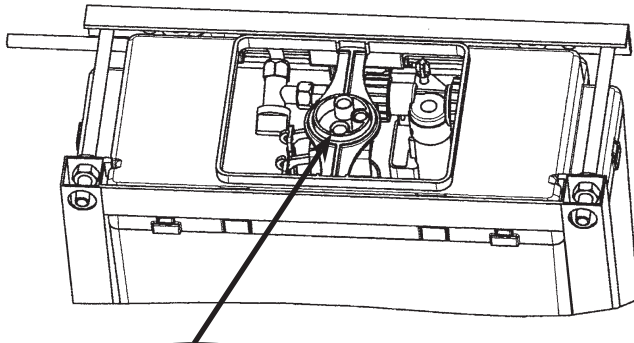


V - ATTACHING THE FRAME



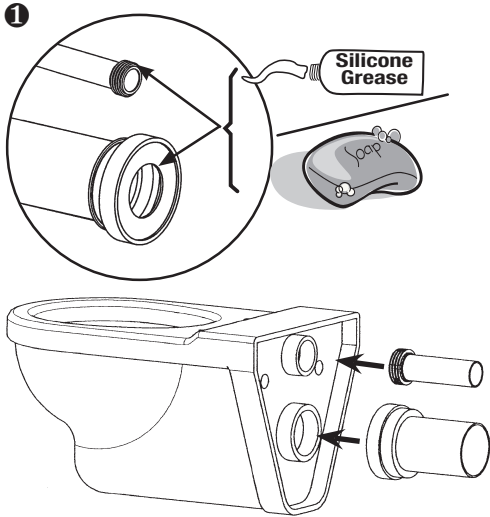
- 1 Attach the frame definitively

VI - WATER SUPPLY CONNECTION

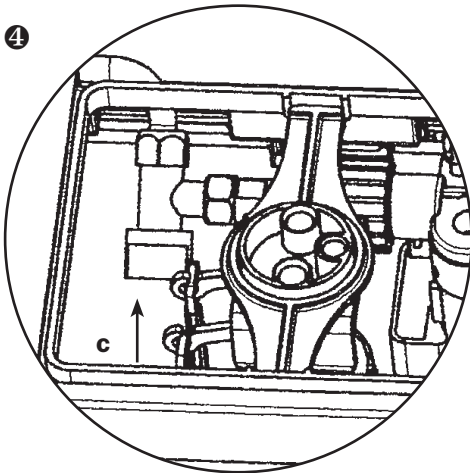


- 1 Insert the water supply tube in the cistern
- 2 Connect your pipe to the shut-off valve (b) either using the dual cone supplied or directly with the nuts provided on the water inlet (in this case, ensure tightness using a fibre washer)
- 3 Connect the shut-off valve (b) to the float valve (a) (ensure tightness by a fibre washer).

VII - TESTING WITH WATER

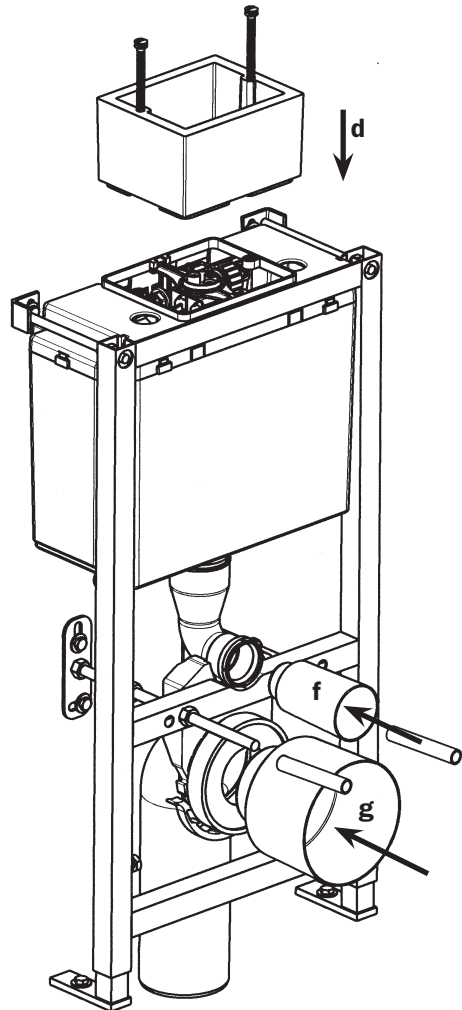


- 1 Insert the supply sleeve (h) and the drain sleeve on the toilet bowl
- 2 Position the toilet bowl on the frame
- 3 Turn on the water using the shut-off valve (b) and wait until the toilet bowl fills
- 4 Manually operate the mechanism (c) using the flush-pull control



- 5 Check the tightness of the supply and drain connections
- 6 Close the shut-off valve and drain the cistern
- 7 Remove the toilet bowl

VIII - PREPARING THE CLADDING



- 1 Fasten the PSE template (d) on the access trap using two grey screws which can be found in the control panel box
- 2 Fit the caps (f) and (g) on the supply bend (e) and on the drain pipe as well as the flexible sheaths (i) over the attaching rods of the toilet bowl (l)

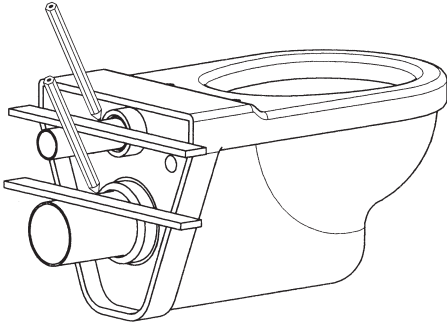
IX - CLADDING

⚠ The thickness of the cladding must be between 20 and 100 mm (for the front) and 25 and 60 mm (for the top) and must be firmly attached to the building structure.

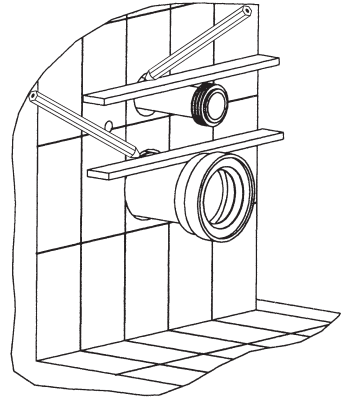
Cladding can be of various materials (brick, plaster blocks, plaster board, water repellent wood panels etc).

Cut the various holes (control panels and drain and supply of toilet bowl and toilet bowl attaching holes). There is a cutting template included on the back of the package.

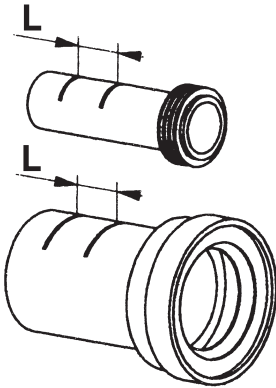
X - TOILET BOWL CONNECTION



❶ Using a rule placed as shown in the above drawing, draw a mark on the toilet bowl side, on the two sleeves.



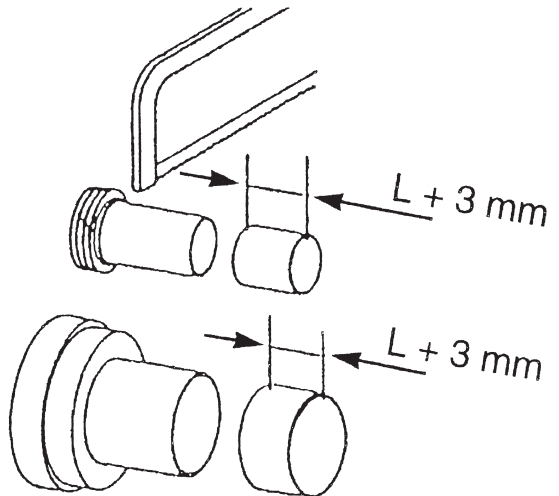
❷ Remove the sleeves from the toilet bowl and fit them to the frame. Using a rule placed as shown in the drawing above, make a mark on the wall side, on the two sleeves.



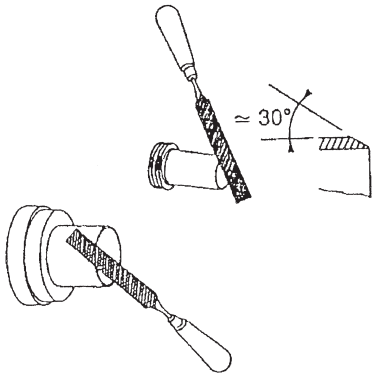
❸ For each of the sleeves, measure the dimension (L) between the two marks.

❹ Transfer this dimension (L) by increasing by 3 mm at the end (frame side) the size obtained on each sleeve. For instance, if L = 50 mm, shorten the sleeve by 53 mm.

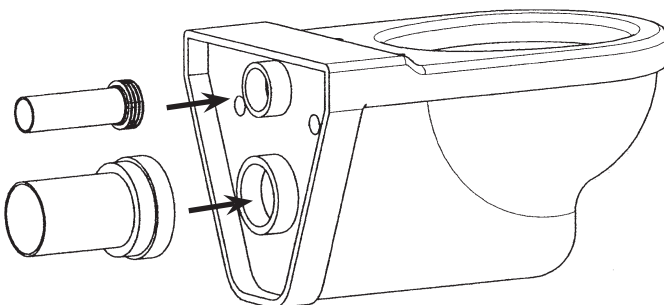
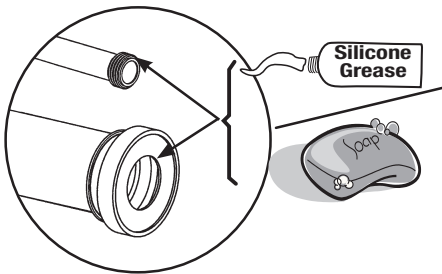
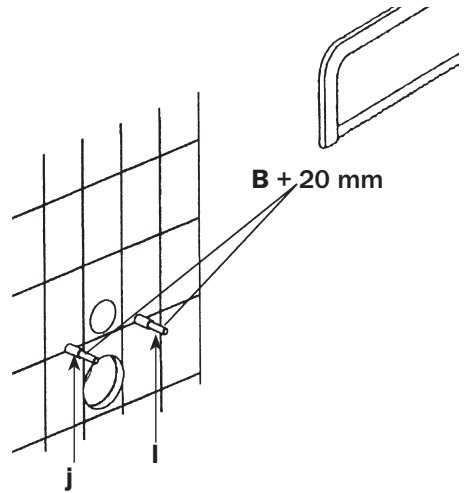
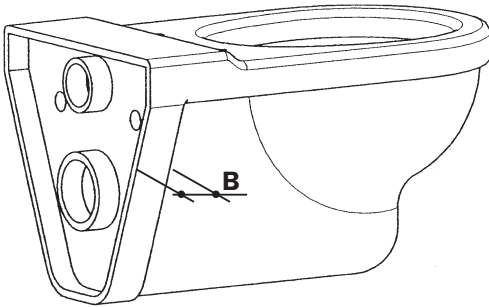
❺ Cut the sleeves using a hack saw.



X - CONNECTING THE TOILET BOWL (cont'd)



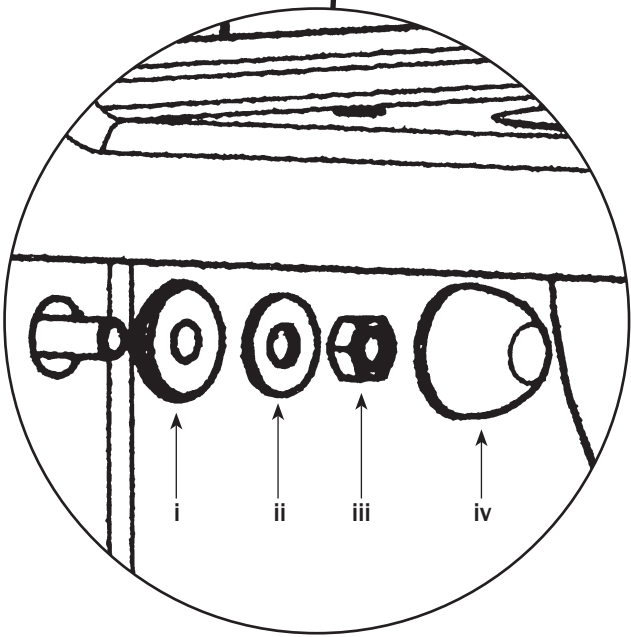
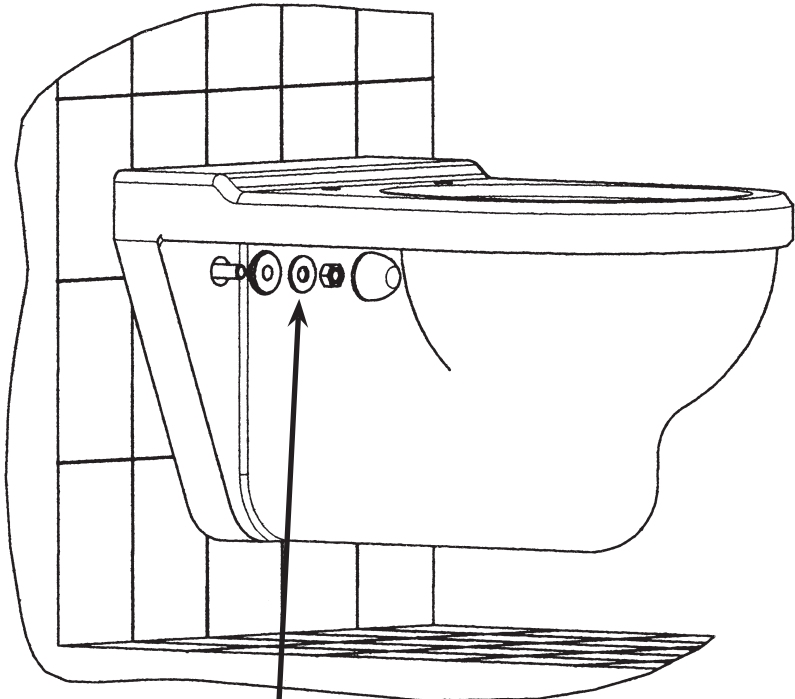
- ⑥ Deburr the cut pipes using a file
- ⑦ Measure the thickness at the rear of the toilet bowl (B)
- ⑧ If necessary, cut the attaching rods (l) so that the part protruding from the wall measures (B) + 20 mm
- ⑨ Shorten the flexible sheaths (j) so that the part protruding from the wall measures (B) - 15 mm



- ⑩ Fit the supply sleeve (h) and the drain sleeve onto the toilet bowl. Then position the toilet bowl on the two attaching rods.

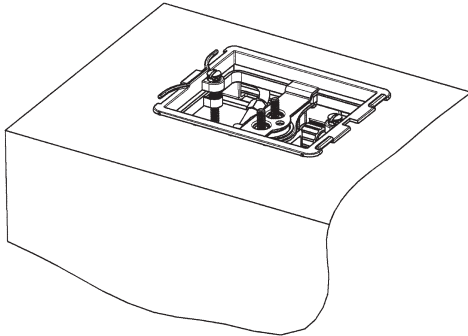
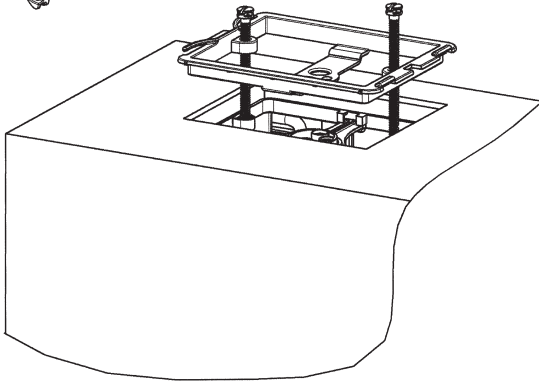
⚠ To facilitate the fitting of the drain sleeve onto the bowl and the pipe, use soapy water.

XI - ATTACHING THE TOILET BOWL



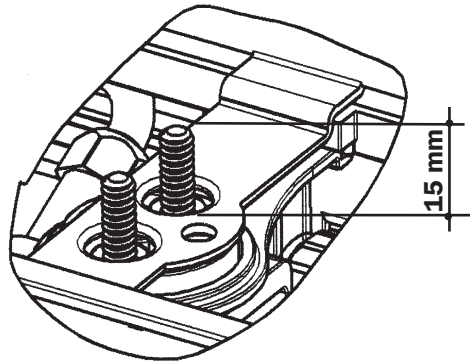
❶ When the toilet bowl is correctly positioned, attach it using the kit (i) complying with the part stacking order:
i = centering washer
ii = metal washer
iii = nut
iv = cover

XII - POSITION IN THE CONTROL PANEL



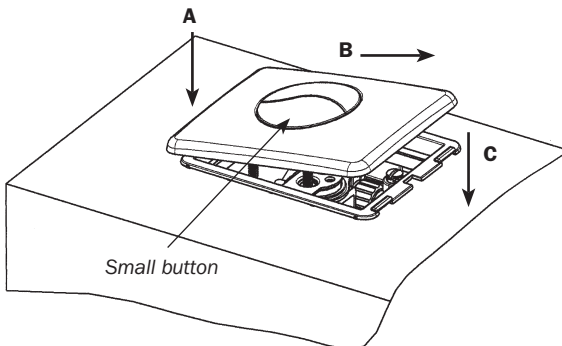
❶ Fasten the frame with two grey screws

⚠ If the cladding is not very thick, shorten the screws by simply breaking them at the notch intended for this purpose.



❷ Break off the heads of the remaining screws at the highest point (throw away the head part)

❸ Screw the two remaining parts into the mechanism so that the tops are 15 mm higher than the stirrup



❹ Put the control panel in place.

A - Position the panel (small button at the front) on the frame spring (left side)

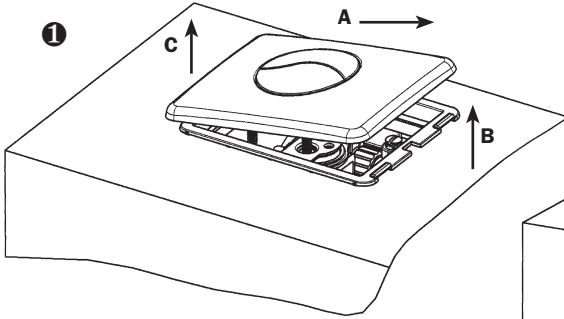
B - Pull over to the right

C - Place panel on cladding and release

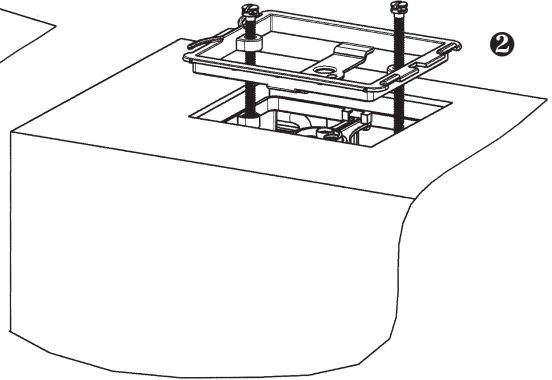
MAINTENANCE OPERATIONS

During the use of your **VERSO** BCM 800 flushing cistern, you may be required to maintain the equipment.

I - MAINTENANCE OF THE VALVE (filter cleaning, replacement of membrane)



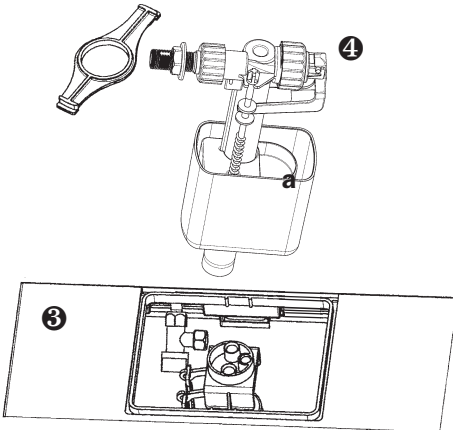
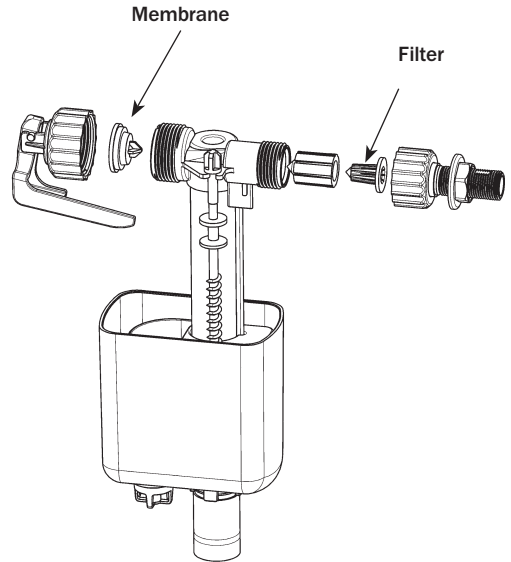
- 1 Remove the panel
A - Push towards the right
B - Lift up panel on the right-hand side
C - Remove panel



- 2 Unscrew and remove frame
- 3 Unscrew one of the plate screws
- 4 Remove the plate and the spacer
- 5 Close the shutoff valve (b) and separate it from the float valve (a).
- 6 Turn the spacer supporting the valve and remove the valve
- 7 After operation repeatedly operations in the opposite order, taking care to reopen the shut-off valve (b) and re-locate the spacer

Spare parts:

Membrane: P/N 349513-07

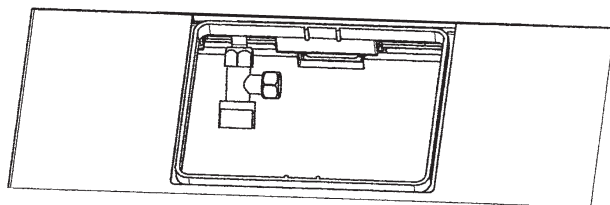
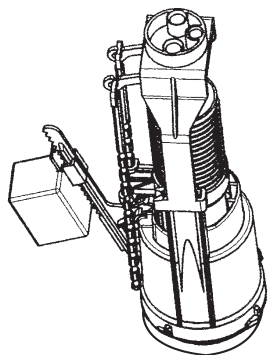


MAINTENANCE OPERATIONS (cont'd)

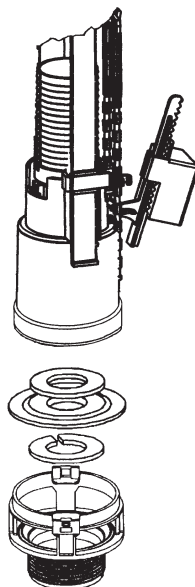
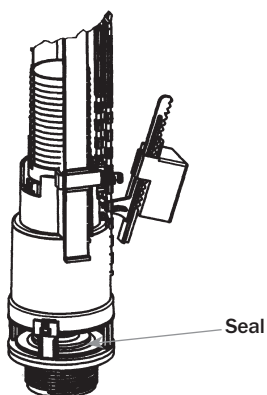
II - MECHANISM MAINTENANCE (cleaning or replacement of the seal)

Proceed in the same way as for the maintenance of the valve up to point

④ then:



① Grasp the mechanism by the base and remove it from the cistern



Spare parts:

Seal P/N 34 2332-07

Complete mechanism: P/N 32-4544-07

② When maintenance is over, repeat all the steps in the opposite order.

⚠ To position the mechanism properly it is provided with a polariser on the base

You have just installed a cistern frame forming part of the **VERSO** range by SIAMP and we would like to thank you for your confidence in our products.

As expert in technical equipment and accessories for the toilet, SIAMP has taken every possible measure to apply all the necessary care to the design and production of this product, offering a ten-year guarantee except for rubber parts and manpower. For any complementary information, or indicated claim, please contact your dealer.

Or contact directly:

SIAMP

Monaco

4, quai Antoine 1^{er} - BP 219 - MC 98007 MONACO Cedex
Site Internet : <http://www.siamp.com>