

# Paradise 6K and 8K

## Tools necessary for instalment

Spirit level, hammer, knife, tape measure, screwdriver (e.g. power drill), crosshead drills No. 1, 2 and 3, 4 mm drill and 3 roof support beams (e.g. 50 x 50, for installing 6K length 310 cm, and for installing 8K length 265 cm), pillar anchors or concrete slates. These tools are not included in the set.

Attention! Wooden structures have not been treated; therefore they need to be impregnated with a wood protection product both from the inside and the outside.

## Preparing the base

Install 7 (6K) or 12 (8K) pillar anchors or concrete slates according to figures 1 and 2. Install the pillar anchors to the corners and the centre.

To the centre of 8K, install 4 pillar anchors. The top surface of all base plates has to be at the same height.

NB! When measuring, consider the external measurements of the pillars so that these would be completely under the house. Leave a ventilation gap between the base structure and the ground.

If the ground is soft, it is necessary to dig holes under the foundation plates and to fill these with sand, which is reinforced with water, for example, and pressed so tight that the pillars do not sink. The garden house may be installed on a single base, e.g. a concrete slate, in such a case it is necessary to pay attention also to ventilation.

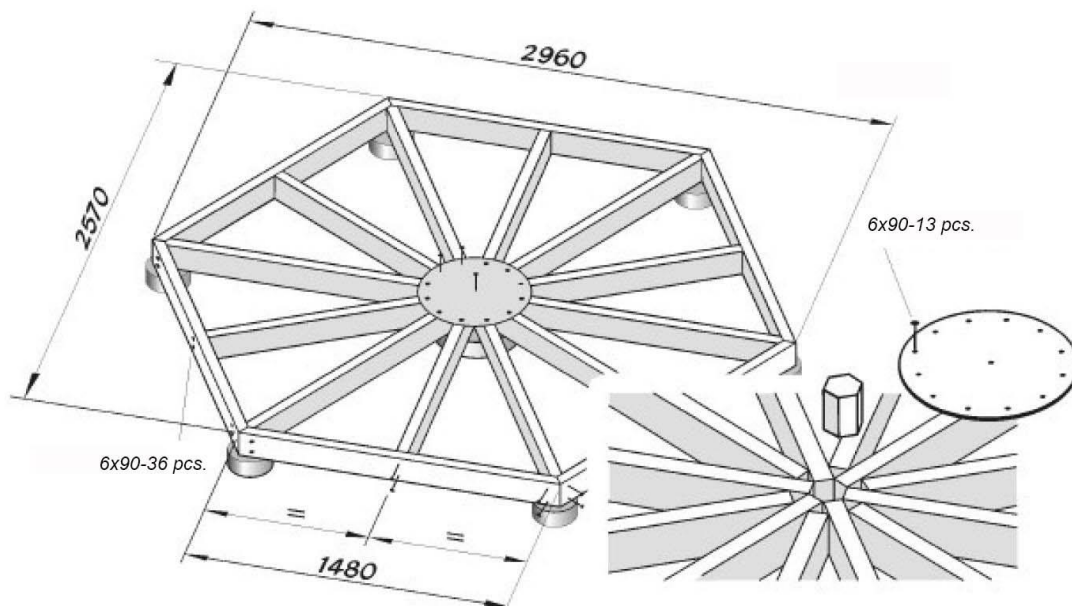


Figure 1

## Base structure

Place the parts of the base structure (50 x 100 impregnated) on the base structure (Figure 1 is 6K and Figure 2 is 8K) and fasten these to each other according to the figure.

Before and after instalment, make sure that the measurements on the figure comply with the actual measurements.

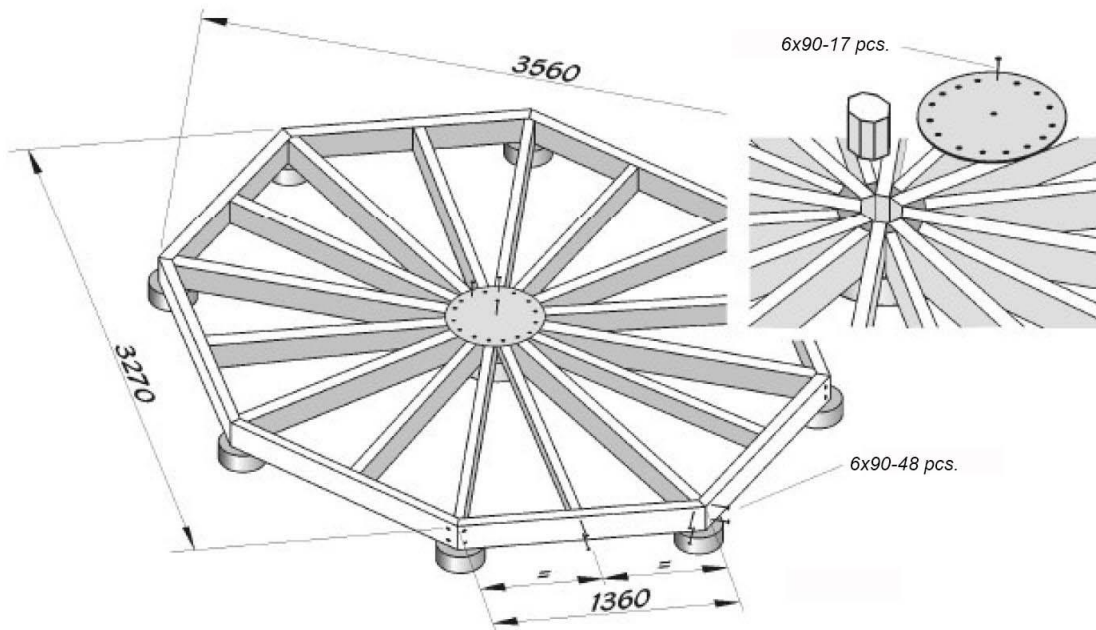


Figure 2

## Floor

Place the floor elements on the base structure (Figure 3/6K and Figure 4/8K) according to the shape of the base structure. Fasten the elements to the base structure using screws in the manner shown on the figure. It is recommendable to drill holes for the screws beforehand.

Fasten the footing boards. Finally, place the centre between the elements.

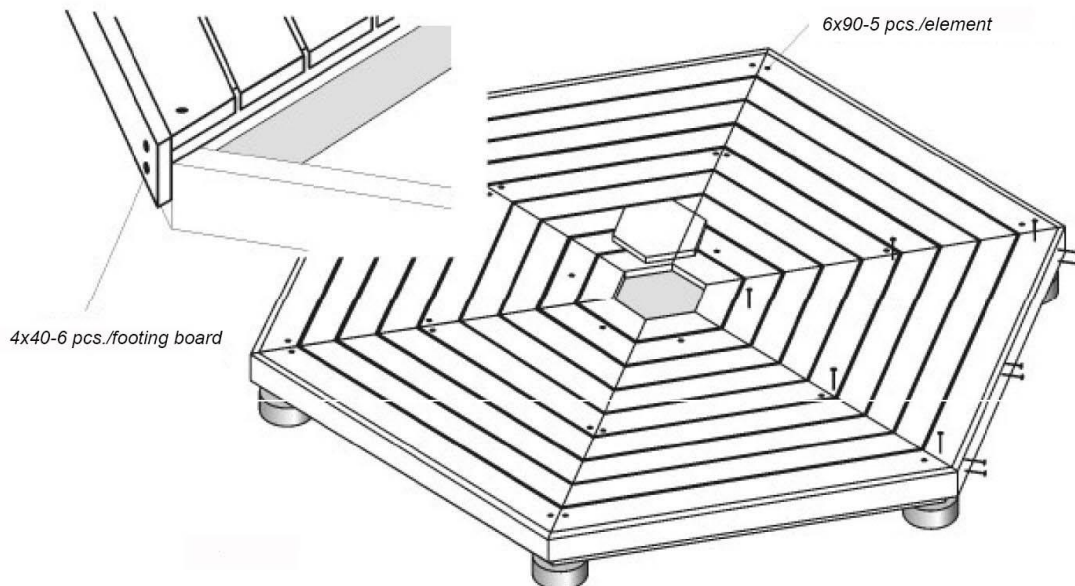


Figure 3

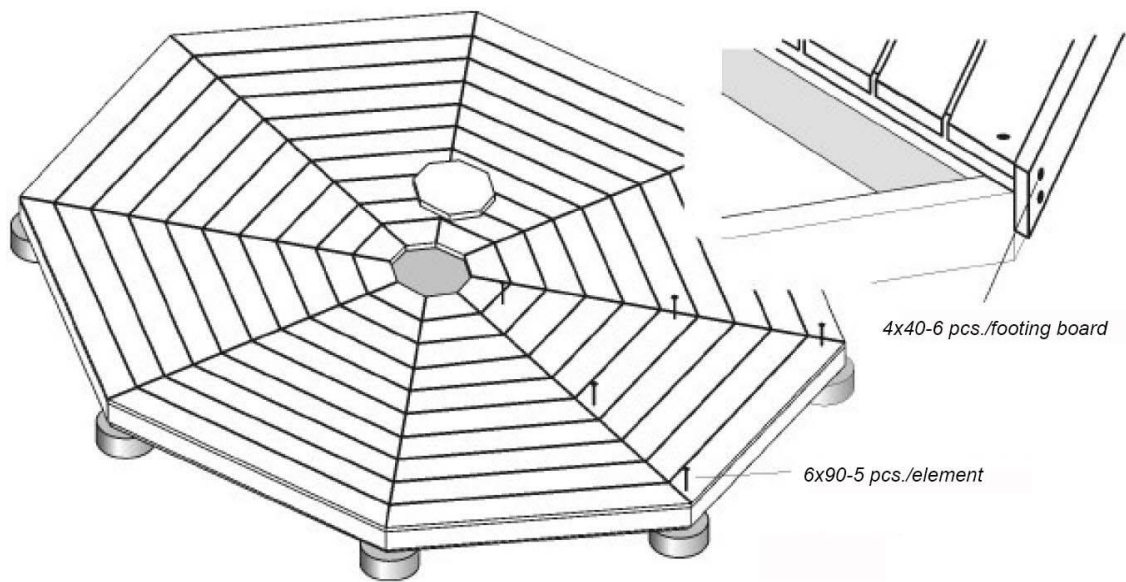


Figure 4

### Walls and windows

Place the corner posts (2 pcs.) on the floor element and place the first beam (half) into its place, then place five whole beams to their places, the top one is without a plug (Figure 5 - 6K and Figure 6 for 8K). Make sure that the vertical beam fits well into the corner post.

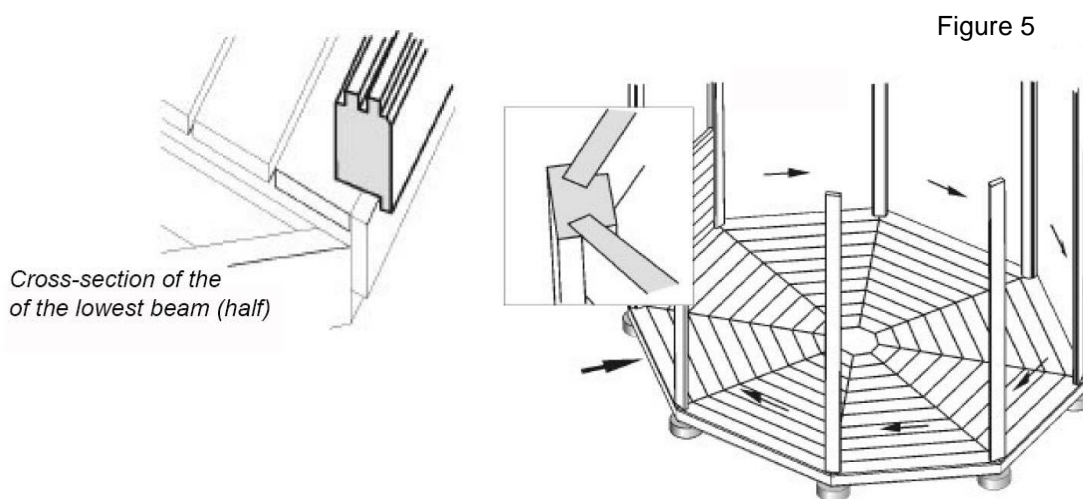


Figure 5

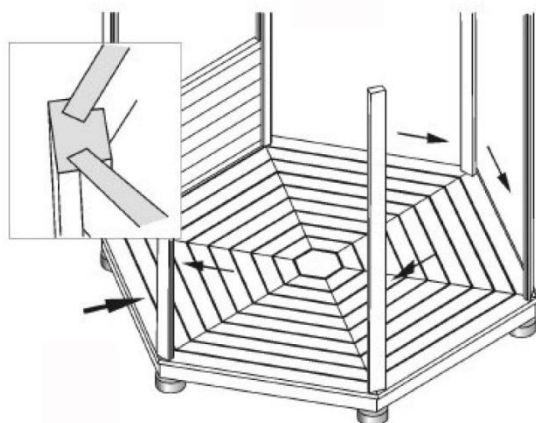


Figure 6

Place the next corner post upright and set the beams and window casings in the same way as with the previous post. Continue the work with all 5/7 walls.

The lowest half-beam is fastened to the corner post from the inside with a screw (Figure 7). Place the lower frame and side frames of the window into places (Figure 8) and place the half-beam (top frame) and two whole beams on top, fasten the top beam to the corner post with a screw (Figure 9). NB! The side frames of the window are not fastened to the corner posts. The top and bottom frames of windows and the door are fastened according to Figures 8 and 10.

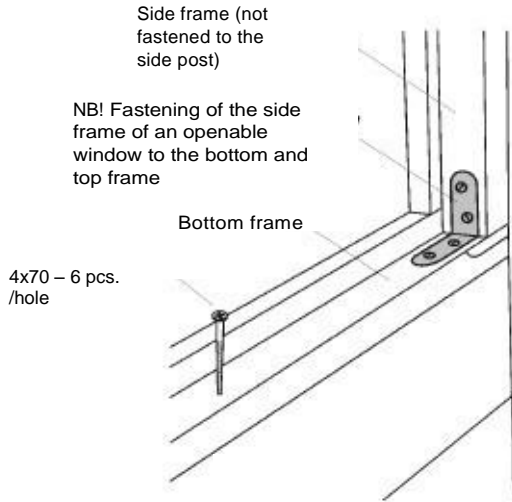


Figure 8

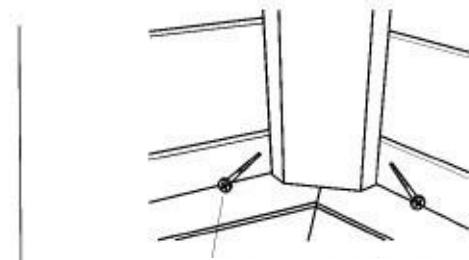


Figure 7

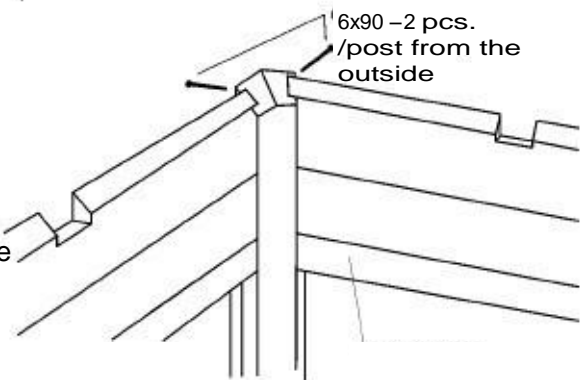


Figure 9

Top frame

Place the bottom frame and side frames of the door in place and fasten according to Figure 10. Place two whole beams on the top frame and fasten the top beam to the corner post (Figure 9).

Now the windows and doors are moved into the right position with regard to the base structure and the posts are fastened from the inside with two 6 x 120 screws. (Figure 11).

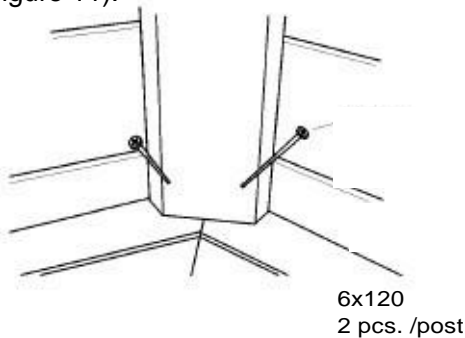


Figure 11

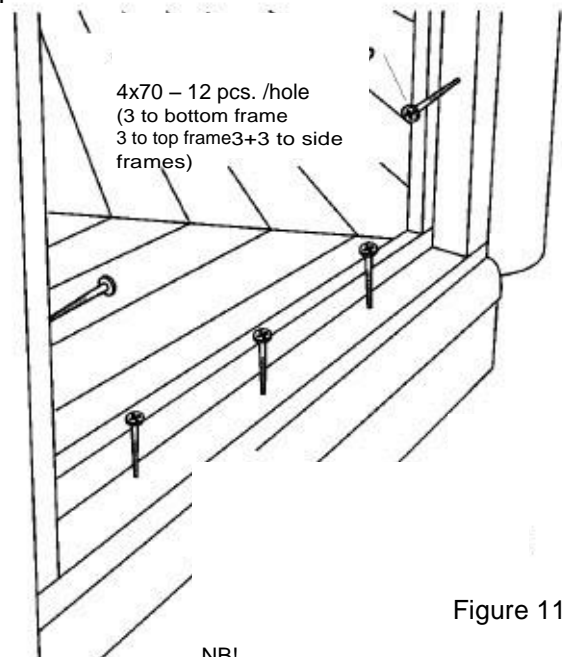


Figure 11

Attention! Holes for screws have not been drilled to the structure posts or wall posts in the factory. It is easier to place screws if holes have been drilled for them in advance.

NB!  
The doorstep is fastened to the floor only after the structure has been placed correctly with regard to the floor.

Put the windows in place and fasten them with 4 x 70 mm screws to the window frame (Figure 12). An openable window is not fastened to the frame with screws. You can choose the place for the openable window according to your preferences.

An openable window is fastened to the top frame (Figure 13). Frames, screws, bolt and hinges are included in the set. The hinges of the openable window have already been installed at the factory. Mark the places for the hinges on the top window frame and fasten them according to Figure 13.

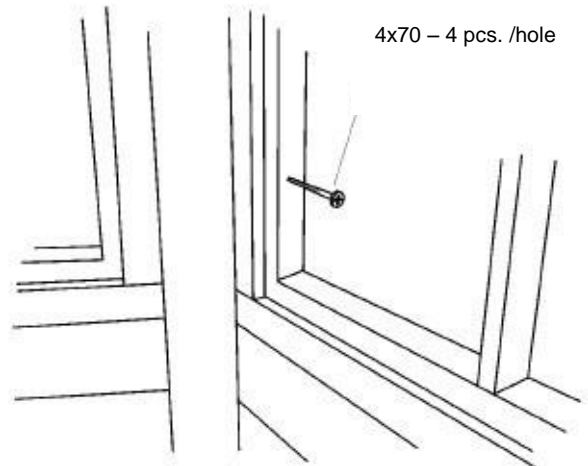


Figure 12

## Doors

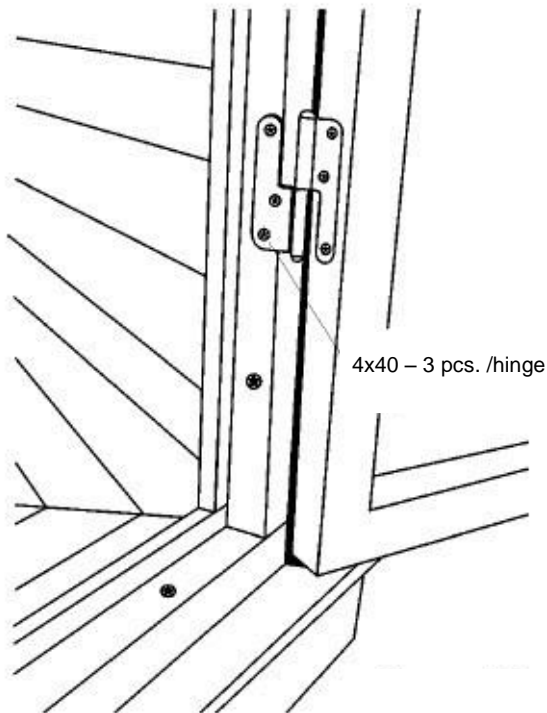


Figure 14

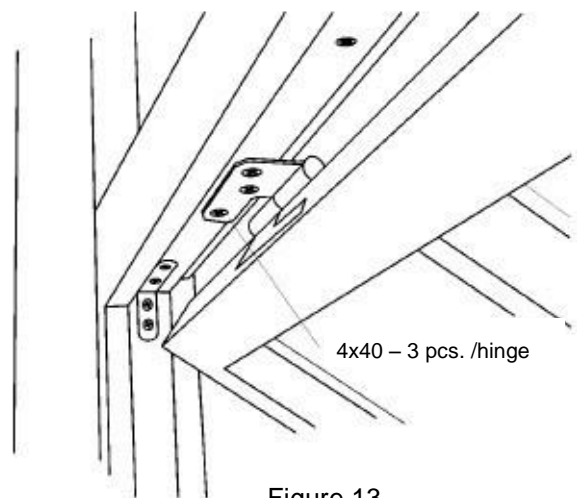


Figure 13

Put the door in place and place a wedge of about 3 mm between the door and the doorstep so that the door would not be in contact with the doorstep while being installed.

Mark the places for the hinges on the door frame and fasten the hinges (Figure 14).

## Roof

When installing roof elements, you need support beams (260 cm beams when installing Paradise 6K and 265 cm when installing Paradise 8K). These are used to support the roof elements from the inside while they are being lifted onto the walls (Figure 15).

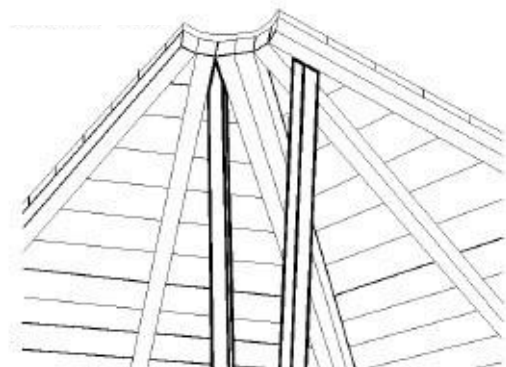


Figure 15



Lift the first roof element on the wall, support the top. Place the element in a way that when being viewed from the inside, the corners of the roof element intersect with the corners of the wall elements (Figures 16 and 18).

Make sure that the roof element is straight in relation to the wall element, e.g. check the edge of the panel.

Lift the next roof element next to the previous one and support the top. Make sure that the bottom ends of the roof elements are on the same level from the outside and fasten the element to the previous element using 6 x 90 mm screws (Figure 16).

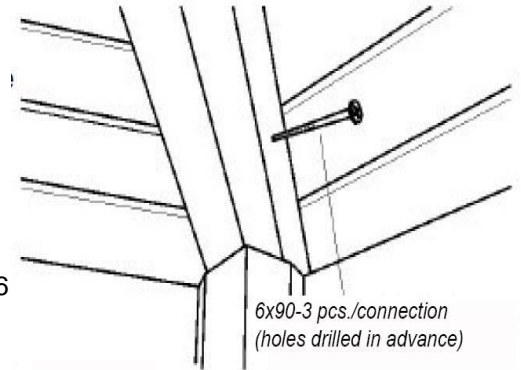
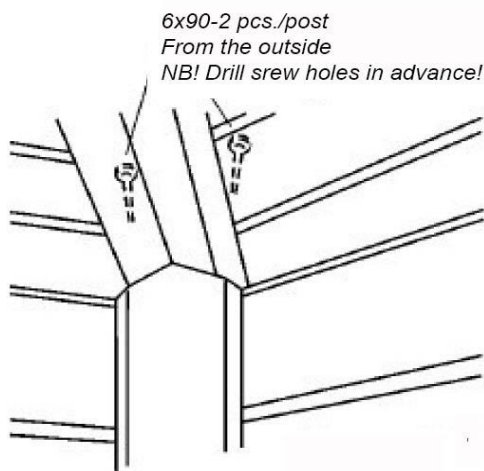


Figure 16



6x90-2 pcs./post  
From the outside  
NB! Drill screw holes in advance!

Figure 17

Make sure that the first support beam remains still throughout the whole installation process and use the second beam to support the roof element being installed.

You can leave the second support beam to support the fourth element and continue instalment with a third support beam - this way the roof will be more secure throughout the installation process.

The end boards of the roof are fastened with screws to the end (Figure 19).

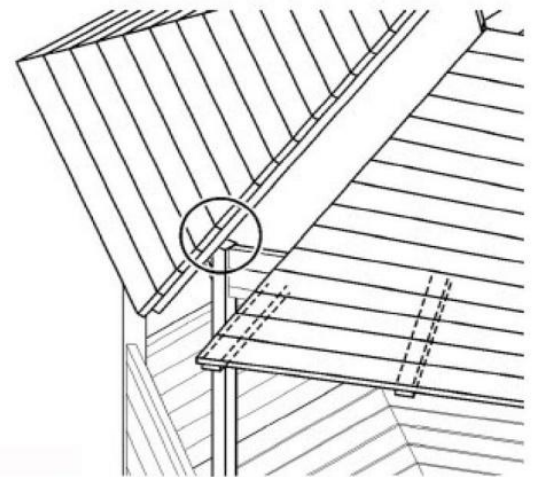
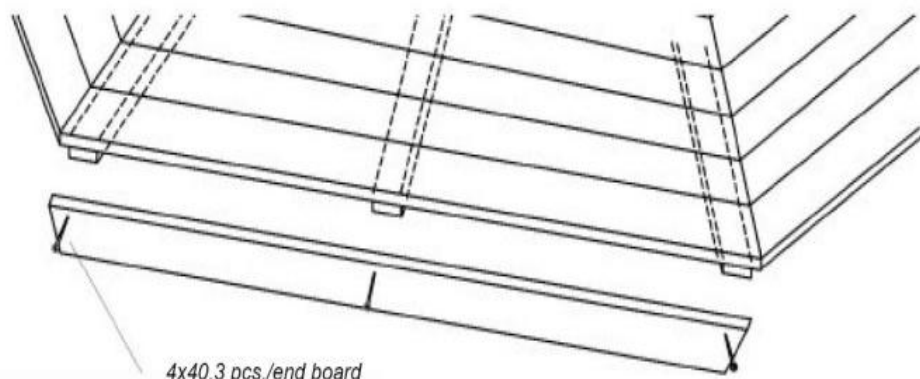


Figure 18

When all elements have been fastened to each other, the position of the roof with regard to the walls can still be adjusted. Fasten the roof elements to the corner post as shown on Figure 17 – from the outside, onto the roof element.



4x40.3 pcs./end board

Figure 19

## Benches and bench supports

Install the bench supports against the floor to the centre of the corner post with 6 x 90 mm screws (Figure 21). The side supports of the door are also fastened to the corner posts (Figure 20?). Find the correct position of the support with regard to the bench. Fasten the benches to the supports (Figure 21). In case of 8K - three benches have places for extensions, you may position these as you wish.

Figure 21

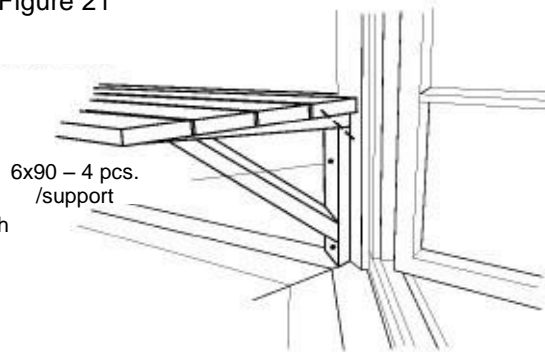
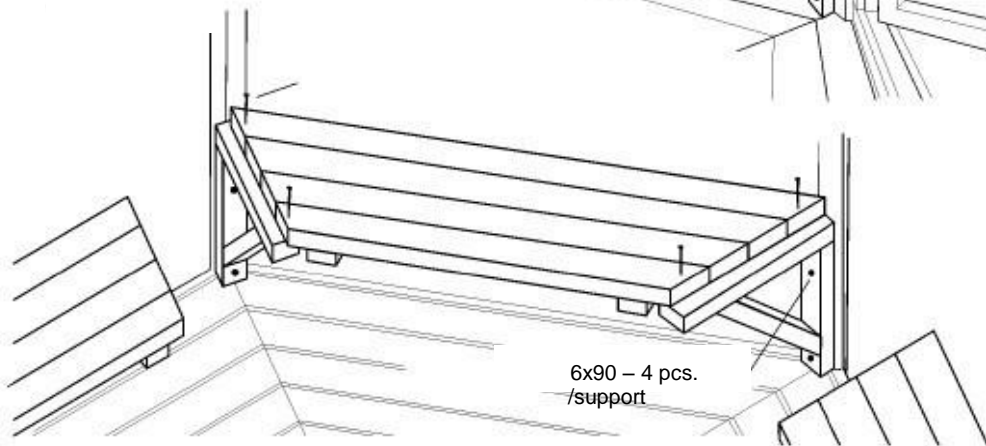


Figure 22

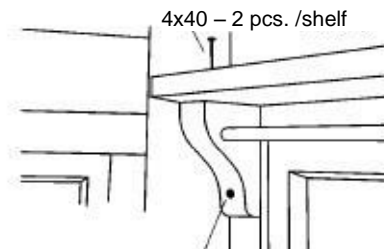
4x40 - 4 pcs. /bench



6x90 - 4 pcs. /support

## Shelves and cover boards

Install the shelves on the interior walls of the garden house according to Figure 22. Paradise 6K - 5 pcs. and Paradise 8K - 7 pcs.



4x70 - 1 pc. /support

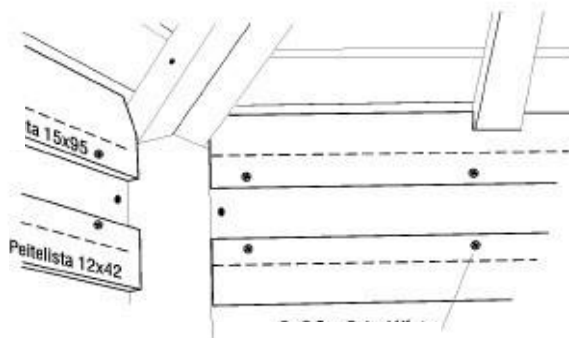
## Installing accessories

Fasten the slats and cover boards included in the set to the top beam according to Figure 24. The slat hides the crack that is created when the timber wall dries and shrinks. Install bolts to openable windows, install door handles and lock, adjust the doors and windows if necessary.

Figure 22

Cover board 15x95

Slat 12x42



Fasten the eaves sheet into place with nails (Figure 25), 3 nails/sheet.

Install the eaves covering according to Figure 26.

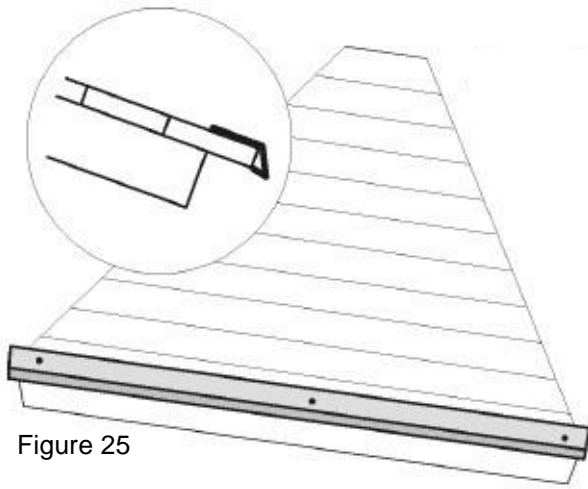


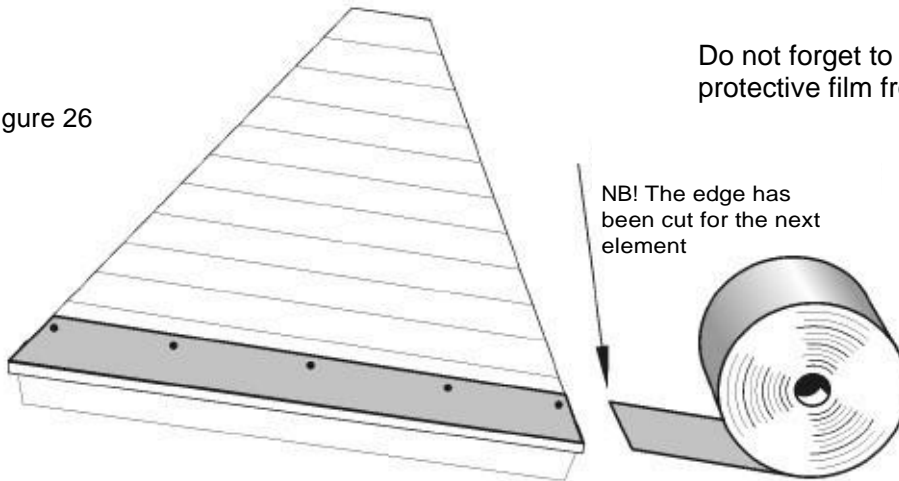
Figure 25

Before instalment, do not forget to remove the protective film from the eaves covering. Fasten the top edge of the cover to the roof element with nails.

Cut the ends of the cover to fit the roof element.

Place the first shingle on the eaves covering – to the centre of the roof element (Figure 27). Place additional pieces to both sides of the first shingle and cut them to fit the element, you can use the cut pieces later in the instalment process.

Figure 26



Do not forget to remove the protective film from the roofing.

NB! The edge has been cut for the next element

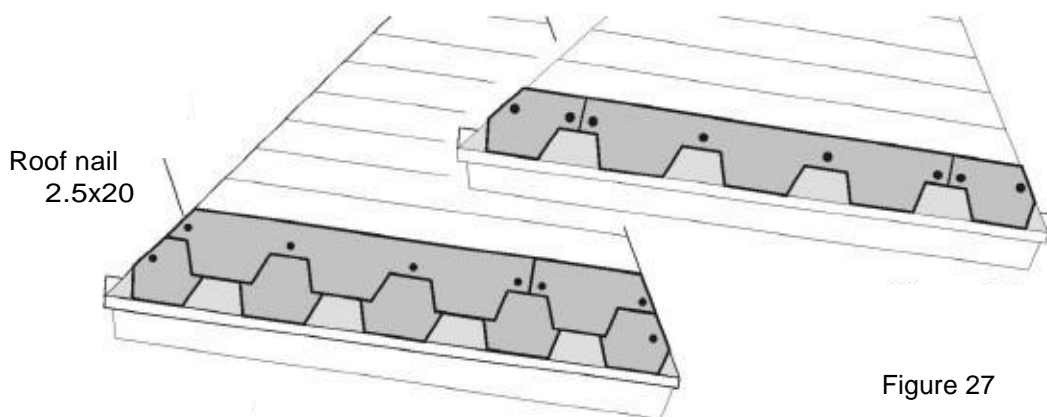


Figure 27

Figure 28

Fasten the roof shingles in the way shown on Figure 28. Roofing is installed from left to right, from bottom to top, the top shingle always covers the nails in the previous shingle.



When all roof gables have been covered, install the ridge strips. From the roll, cut 8 strips of the length of the ridge + 50 mm, install the ridge strip so that the corner of the ridge would remain in the centre of the strip and 50 mm would go over the corner. Fasten the edges of the covering to the roof with nails 200 mm apart. Cut the ridge strip to fit the roof corner. Press the corners of the eaves sheet in place so that the pieces on the roof incline would be under the ridge strip (Figure 29).

In case of cold weather, the covering may be warmed up carefully by using a gas-heater or blower so that the material would attach as well as possible.

Cut a hole of approximately 300 mm for the barbecue ventilation in the centre of the roof.

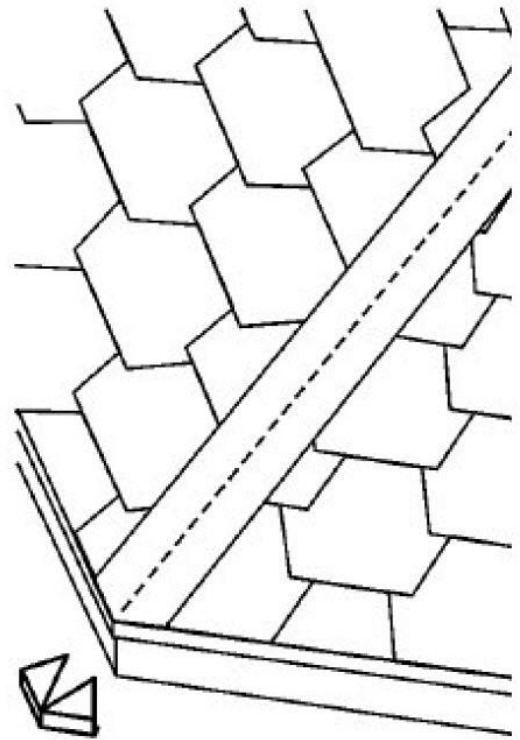


Figure 29

**NB!** Divide shingles and ridge strips into eight/six. This way you can make sure that you have enough roofing to cover all roof elements.